

WALLCON

X-treme

WALL HUNG CONDENSING BOILERS

INSTALLATION AND USER MANUAL



WALLCON X-treme 180
WALLCON X-treme 200



0063-23

Gassero
technology for your comfort

200180016 v05

CONTENTS

1	Meanings of the Symbols and Safety	2			
1.1	Meanings of the Symbols	2			
1.2	General Warnings	2			
1.3	Safety Instructions	2			
1.4	Standards and Regulations	3			
2	General	3			
2.1	Purpose of Design	4			
2.2	Introduction of the Product	4			
2.3	Boiler Room and Ventilation	5			
2.4	Warning Label	6			
2.5	Packaging Label	6			
2.6	Information Label	6			
3	Technical Specifications	7			
3.1	Dimensions	7			
3.2	Hydraulic Diagram	7			
3.2	Main Components	8			
3.3	Technical Table	10			
4	Installation Introductions	11			
4.1	Installation	11			
4.1.1	Packaging	11			
4.1.2	Carrying	11			
4.1.3	Mounting	11			
4.1.4	Water Quality and Treatments	12			
4.2	Hydraulic Connections	13			
4.2.1	Expansion Tank	13			
4.2.2	Safety Valve	13			
4.2.3	Condensation Water Drain	14			
4.2.4	Hydraulic Separator	14			
4.2.5	Plate Heat Exchanger	14			
4.2.6	Automatic Air Relief Valve	15			
4.2.7	Deposit and Dirt Separator	15			
4.2.8	Air Inlet Filter	15			
4.2.9	Accessories List	16			
4.2.10	Pump	17			
4.3	Flue Connections	19			
4.3.1	Flue Types	19			
4.3.2	Flue Connection Lenth	20			
4.4	Electrical Connections	21			
4.4.1	Wiring	21			
4.4.2	Outdoor Temperature Sensor	25			
5	Installation Examples	26			
6	Operation	30			
6.1	General	30			
6.2	Display and Buttons	30			
6.3	Operaiton Mode Selection	32			
6.4	Programming	33			
6.5	Main Functions	34			
6.6	BMS-Moiler 0-10V Management	35			
7	Parameters	36			
7.1	End User Parameters	36			
8	Error / Fault Codes	37			
9	Cascade	38			
10	Combustion Adjustments	39			
10.1	Emission Setpoints	39			
10.2	Nominal Load Emission Settings	40			
10.3	Minimum Load Emission Settings	40			
11	LPG Conversion	41			
12	Maintenance	43			
12.1	Maintenance Process	43			
13	Energy Saving Recommendations	45			
14	Disposal	45			
15	Product/Energy Labels	46			
16	Troubleshooting	47			
17	Boiler Room Application Recommendations	48			

IMPORTANT

PLEASE READ INSTRUCTIONS BELOW CAREFULLY BEFORE THE INSTALLATION AND USAGE

1. THIS MANUAL IS AN INSEPARABLE PART OF THE BOILER AND HAS TO BE STORED TOGETHER WITH THE BOILER. IF THIS MANUAL DAMAGED OR LOST CONTACT GASSERO FOR A NEW COPY.
2. THE INFORMATION AND INSTRUCTIONS THAT ARE SPECIFIED IN THIS USER'S MANUAL APPLY ONLY FOR THE BOILER MODELS SPECIFIED IN PAGE 3.
3. THE INSTALLATION OF THIS BOILER MUST BE MADE IN ACCORDANCE WITH THE CE DIRECTIVES AND THE LOCAL GAS ORGANIZATIONS' INSTRUCTIONS BY AUTHORIZED SERVICES.
4. SPECIFIED GAS MUST BE SUPPLIED BY AUTHORIZED GAS ORGANIZATIONS BEFORE THE COMMISSIONING OF THE BOILER.
5. COMMISSIONING OF THE BOILER MUST BE MADE BY GASSERO'S AUTHORIZED SERVICES. OTHERWISE BOILER WARRANTY WILL BE CANCELLED.
6. THE MANUFACTURER IS NOT THE RESPONSIBLE OF THE DAMAGE DUE TO WRONG OR IMPROPER INSTALLATION OF THE BOILER.
7. SOME PARTS OF THE PURCHASED BOILER COULD BE DIFFERENT THAN SHOWN BOILER PARTS IN THIS MANUAL.
8. MANUFACTURER (GASSERO) RESERVES THE RIGHT TO CHANGE THIS USER'S GUIDE WITHOUT NOTICE.
9. LIFE TIME OF THE BOILER IS 10 YEARS IF ALL OF THE INSTRUCTIONS FOLLOWED ACCORDING TO THIS USER MANUAL.
10. BOILER MAINTENANCE MUST BE MADE AT LEAST ONCE IN A YEAR.

1. MEANINGS OF THE SYMBOLS AND SAFETY

1.1 MEANINGS OF THE SYMBOLS

The symbols which are used in this document and their meanings are as follows:



DANGER : Actions that are certainly not to be done. Material damage and severe personal damage may occur.



ELECTRICAL HAZARD: Danger of death or serious injury due to electric shock.



WARNING: Danger of material damage or damage to the environment.



Refers to the **Information / Recommendations** to be considered by the user

1.2 GENERAL WARNINGS



Your boiler must be used in accordance with the instructions and purposes specified in the user manual. The manufacturer cannot be held liable for damage to the people, animals and property due to improper installation, subsequent repairs and modifications.



Boiler may not be used by persons with inadequate physical, mental and perceptual capacity and without experience and knowledge.

1.3 SAFETY INSTRUCTIONS



IF YOU SMELL GAS:

- Do not open or close the power switches, do not touch the plugs or sockets.
- Do not smoke
- Do not use your phone
- Close the gas valve immediately
- Ventilate the space by opening the doors and windows.
- Notify everyone in the building.
- Call the emergency service of the gas distribution company you are connected to. Do not allow anyone to enter the boiler room until the emergency service arrives.
- If there is a sealing due to gas leakage, do not disassemble the seal, contact the gas distribution company to disassemble the seal after necessary repair.
- The smell of the waste gas formed after burning with natural gas may resemble each other. Never use the boiler in the event of a leak in the waste gas system.



IF WATER LEAKAGE OCCURS IN THE BOILER:

- Switch off the electrical and water connections of the boiler and notify the authorized service.
- Condensation water formed after combustion is corrosive and corrosive. In case of leakage or leakage of this water, inform the authorized service.

IF ELECTRICAL LEAK OCCURS IN THE BOILER:

- Never touch the boiler.
- Lower the main switch on the board and notify the authorized service.
- Do not touch the pipes or the chimneys. (there may be a ground fault)
- Do not cut, pull, or bend the cables even if the switch is lowered and the power cut off.



DON'T TOUCH THE BOILER WHEN YOUR HANDS ARE WET OR STEPPING ON A WET AREA.

1.4 STANDARTS AND REGULATIONS

This boiler is manufactured in accordance with the following directives and standards:

EN 15502-1
EN 15502-2-1+A1

(EU) 2016/426
2014/30/EU
201/35/EU
92/42/EEC

Gas Appliance Regulation (GAR)
Electromagnetic Compatibility (EMC)
Low Voltage Directive (LVD)
Boiler Efficiency Directive (BED)

2. GENERAL

These installation and maintenance instructions are prepared for the wall hung condensing boilers specified below:



0063-21

WALLCON X-treme 180
WALLCON X-treme 200

CE LABEL:

This boiler complies with the essential requirements of the relevant European directives. The CE marking certifies that the products meet the essential requirements of the applicable regulations in accordance with the type of label. Manufacturer can be consulted for the declaration of conformity.

WARRANTY PERIOD AND LIFE TIME:

Warranty is 2 years from the date of invoice, unless other terms are agreed separately.

Service life of the boiler is 10 years (this period can be change according to the installation, water quality and other environmental conditions).

CONSUMER RIGHTS:

Consumers can apply for complaints and appeals to consumer courts and consumer arbitration committees.

In case of defective goods;

a) Withdraw from the contract by stating that it is ready to return the product;

b) If all costs incurred do not incur excessive costs, to request free repair of the product,

c) Requesting the replacement of the product with a non-defective product,

One of the rights can be used.

2.1 PURPOSE OF DESIGN

Gassero **WALLCON X-treme** Wall Hung Condensing Boilers with Premix Burners are designed for heating purposes only. For hot water use, the boiler must also be connected to the DHW tank. Boiler can be used with in a cascade system or stand alone. Maximum 16 boilers can work together in cascade systems. Multi-purpose heating values can be achieved with cascade systems. For example; 16 units of 200 kW boiler can reach 3200 kW heating power with cascade system. Examples of stand alone and cascade systems are shown in the SAMPLE INSTALLATION DIAGRAMS section.

For cascade systems, special cascade accessories such as mounting frame, horizontal flue elements, connection pipes between the boilers, main gas pipe and hydraulic mixer (balance vessel) have been developed. Such accessories make the cascade system easier to install with less effort. For more detailed information on cascade systems, please contact your dealer or manufacturer.



This boiler is not suitable for industrial purposes. The manufacturer cannot be held responsible for the problems caused by the use except of the design purpose.

2.2 INTRODUCTION OF THE PRODUCT

WALLCON X-treme is a condensing boiler which is modulated with a stainless steel heat exchanger and premix burner for central heating and (optional) hot water production.

BASIC FEATURES OF WALLCON X-TREME BOILERS:

- Stainless steel heat exchanger
- % 108,48 boiler efficiency for **Wallcon X-treme 180**
- % 108,42 boiler efficiency for **Wallcon X-treme 200**
- NOx emission class 6
- Room thermostat and outside temperature sensor provide comfortable economic heating
- Besides the ease of operation via smart digital panel, it provides fault and error detection.

2.3 BOILER ROOM AND VENTILATION

- This boiler provides IPX4D electrical protection class. Check that the place where the boiler is located complies with this protection class.
- Boilers must be placed 200 mm away from flammable materials with flammability class B, C1, C2.
- Boilers must be placed 400 mm away from the easily flammable materials of the C3 class which can be ignited by themselves or by ignition sources.
- Never switch off the power supply of the boiler when the air temperature falls below 0°C against the risk of freezing.
- **WALLCON X-treme** condensing boilers must be installed in spaces that have the necessary ventilation openings according to current standards and applicable regulations
- Do not modify the ventilation openings, ventilation ducts, ventilation vents and do not block them after the commissioning.
- Never use the boiler in places where excessive amounts of dust are stored, where corrosive, explosive chemicals are stored or used.
- If the boiler receives the combustion air from the environment, there should not be any low pressure due to other systems / boilers in the boiler room.
- The boiler must be installed in accordance with the electrical voltages, gas and water pressures specified in the technical table.
- Grounding of the electrical line is mandatory.
- Never switch off the mains when the boiler is in operation. Such behavior may cause abnormal heat build-up and damage the heat exchanger and other units of the system.

2.4 WARNING LABEL

WARNINGS !

- Read the technical instructions and user manual carefully before the commissioning.
- Commissioning must be made by an authorized Gassero service.
- The boiler must be located in a location that is separate from the living quarters and only in accordance with the ventilation legislation.

2.5 PACKAGING LABEL

Wallcon X-reme A

Product model :
Capacity: (50-30°C) **B**
Type of gas : I2H,I2E G20 20mbar-Natural Gas
Product code :
Device Type (Waste Gas Evacuation System) :
Type B
Product
Fibre

6 0 0 0 4 6 0 0 0 1

Serial Number :
0922 M060001

MASTER
SLAVE

TR
CE
0063-22

2.6 INFORMATION LABEL

Wallcon X-treme **CE**
0063-21
Wall Hung Gas Condensing Boilers

Model : **Wallcon X-treme A** Nominal Heat Input Qn
Standards : EN 15502-2-1+A1/EN 15502-1+A1 Qn Min. (kW) : **D**
Production Year : Qn Maks. (kW) : **E**
Power Supply : 230VAC/50 Hz (-%15)/(+%10)
Power Consumption : **C** Nominal Heat Output Pn (80-90°C)
IP Class :IPX4D Pn Min. (kW) : **F**
NOx Class : 6 Pn Maks. (kW) : **G**
Max.Working Pressure : 6 bar
Max.Working Temperature : 80 °C
Flue (appliance)
Type:B23-C13-C33-C43-C53-C63-C83
Certificate GAR: E-30-00496-18
PIN: CE-1015CT0640
Serial Number :
Pn Min. (kW) : **H**
Pn Maks. (kW) : **I**
Product Code :

1234567890123 1234567890123

ATTENTION : The boiler adjusted in the Factory to gas Pressure of G20-20 mbar.

Gassero
technology for your comfort
İstanbul Endüstri ve Ticaret Serbest Bölgesi
4. Sokak, No:8
34957 Tuzla, İstanbul, Turkey
www.gassero.com

Countries Destination Gas Pressure Gas Category

MASTER
SLAVE

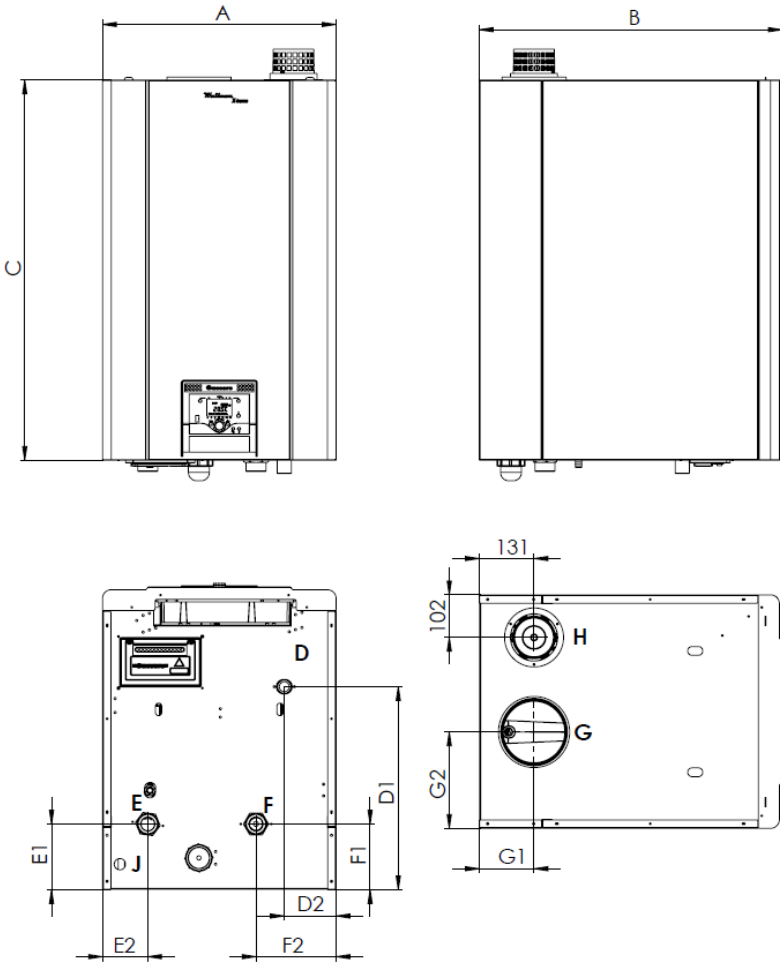
Gas categories and pressure

Appliance category	Supply pressures [mbar]	Gas used	Country of destination
I ₂ H	20	G20	AT, BG, CH, CY, CZ, DK, EE, ES, FI, GB, GR, HR, IE, IT, LT, LV, NO, PT, RO, SE, SI, SK, TR
	25		HU
I ₂ E	20	G20	DE, PL, RO

A	B	C	D	E	F	G	H	I
180	180,5	226	29,0	171,0	28,3	166,4	31,2	180,5
200	200,4	295	32,0	190,0	31,2	184,5	34,3	200,4

3 TECHNICAL SPECIFICATIONS

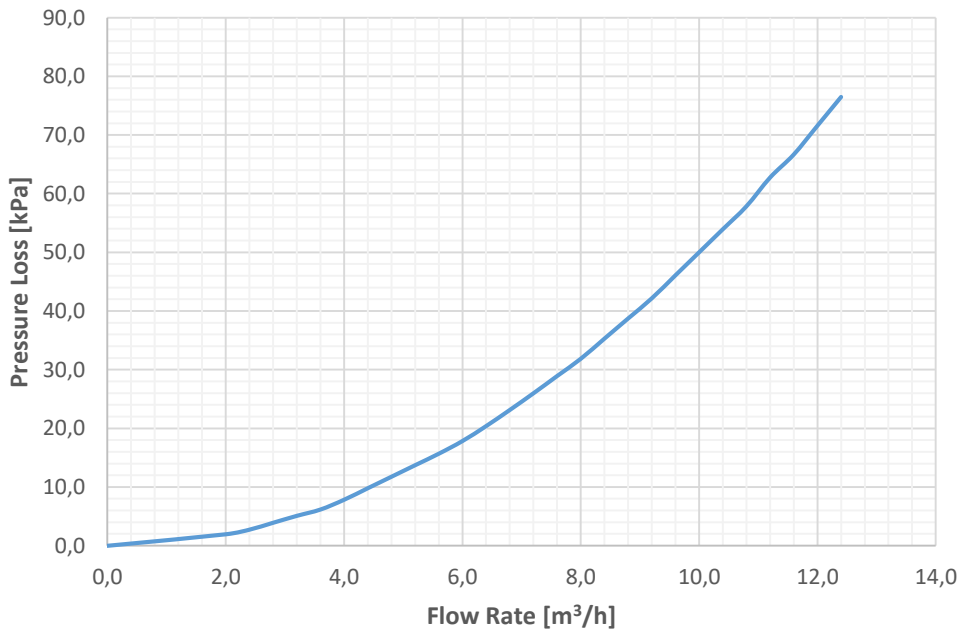
3.1 DIMENSIONS



	Wallcon X-treme 180	Wallcon X-treme 200
A (Width) [mm]	557	557
B (Length) [mm]	725	815
C (Height) [mm]	910	910
D (Gas inlet)	1"	1"
D1	485	640
D2	125	82
E (Water outlet conn.)	1 1/2"	1 1/2"
E1 [mm]	157	157
E2 [mm]	110	110
F (Water inlet conn.)	1 1/2"	1 1/2"
F1 [mm]	157	157
F2 [mm]	190	190
G (Flue diameter) [mm]	Ø150	Ø150
G1 [mm]	131	131
G2 [mm]	230	230
H (Air intake) [mm]	Ø110	Ø110
J (Condensate drain) [mm]	Ø25	Ø25

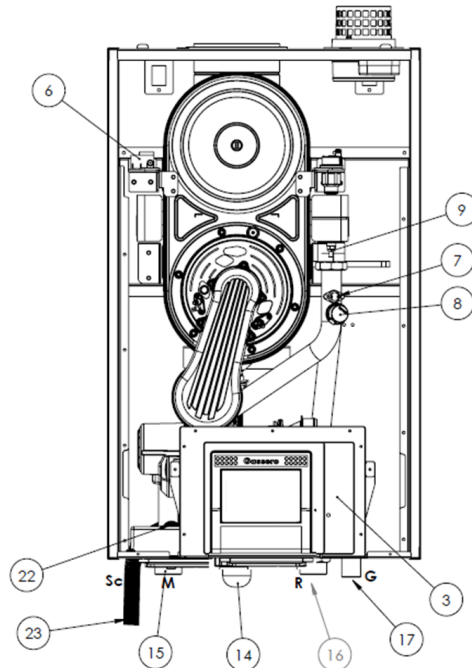
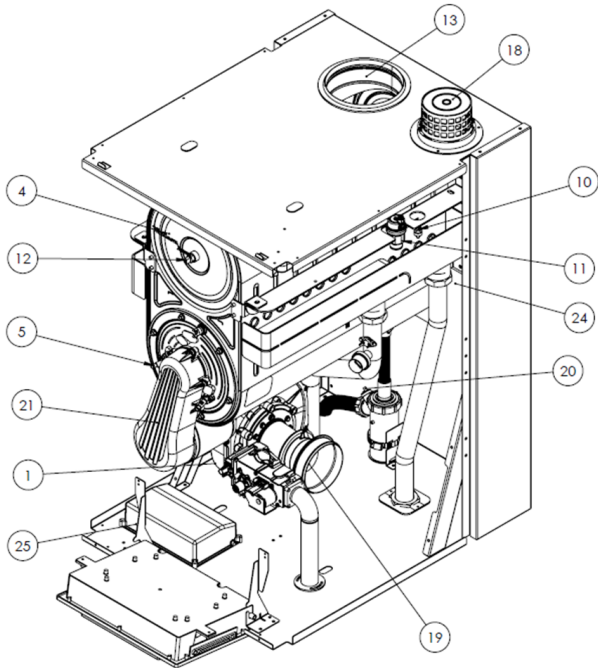
3.2 Heat Exchanger Pressure Losses

Wallcon X-treme 180-200 Pressure Loss



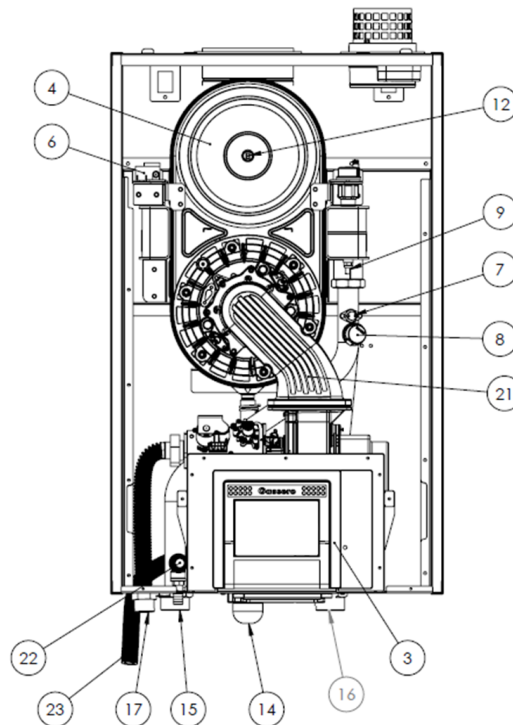
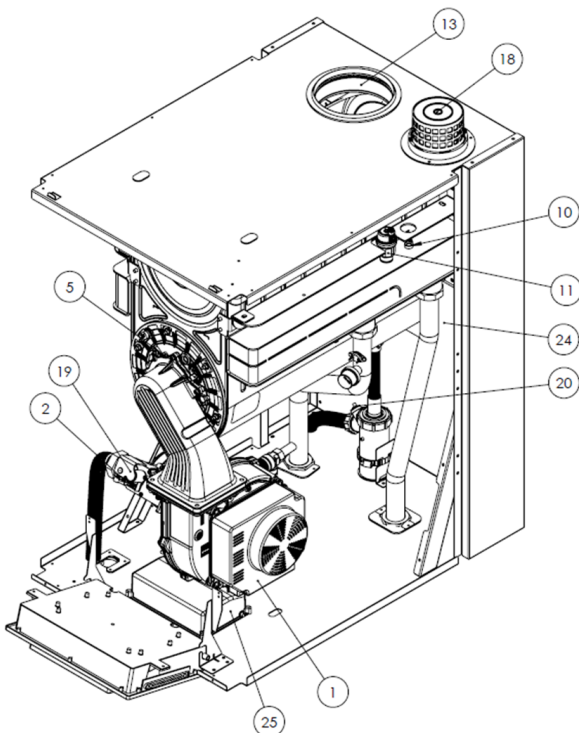
3.3 MAIN COMPONENTS

Wallcon X-treme 180



1. Fan
2. Gas valve
3. Control panel
4. Heat exchanger
5. Ignition electrode
6. Ignition transformer
7. Limit thermostat
8. Pressure sensor
9. Flow NTC sensor
10. Return NTC sensor
11. Automatic air vent
12. Flue gas sensor
13. Flue gas outlet
14. Syphon
15. Water outlet conn.
16. Water inlet conn.
17. Gas inlet
18. Air intake
19. Venturi
20. Syphon sensor
21. Air-gas mix pipe
22. Pressure safety valve
23. Drain hose
24. Over heat sensor for heat exchanger
25. Electric box

Wallcon X-treme 200



1. Fan
2. Gas valve
3. Control panel
4. Heat exchanger
5. Ignition electrode
6. Ignition transformer
7. Limit thermostat
8. Pressure sensor
9. Flow NTC sensor
10. Return NTC sensor
11. Automatic air vent
12. Flue gas sensor
13. Flue gas outlet
14. Syphon
15. Water outlet conn.
16. Water inlet conn.
17. Gas inlet
18. Air intake
19. Venturi
20. Syphon sensor
21. Air-gas mix pipe
22. Pressure safety valve
23. Drain hose
24. Over heat sensor for heat exchanger
25. Electric box

3.4 TECHNICAL TABLE

		WALLCON X-treme 180	WALLCON X-treme 200
Thermal Specifications for G20			
Nominal heat input Qn	kW	29,0/171,0	32,0/190,0
Nominal heat output Pn (80/60°C)	kW	28,3/166,4	31,2/184,5
Nominal heat output Pnc (50/30°C)	kW	31,2/180,5	34,3/200,4
Heating efficiency $\eta_{u,n}$ (80/60°C)	%	97,87/97,32	97,60/97,13
Heating efficiency $\eta_{u,n}$ (50/30°C)	%	107,89/105,57	107,38/105,51
Partial load efficiency η_p (36/30°C)	%	108,48	108,42
Turndown ratio	-	17-100	17-100
Hydraulic Specifications			
Working water pressure	bar	0,8/6,0	0,8/6,0
Water flow rate	m ³ /h	1,35/7,83	1,49/8,45
Pump delivery head	mWC	7,6	6,0
Max. operating temp,	°C	80	80
Limit thermostat shut off temp,	°C	105	
Heat exchanger water volume	lt	13,1	13,1
Hydraulic loss**	kPa	40	46
Gas Specifications			
Gas type	-	G20	
Combustion Specifications for G20			
Gas supply pressure	mbar	20	
Flue Type	-	B23	
Flue gas pressure	Pa	550	500
Combustion products mass flow rate	g/sn	13/74	14/81
CO ₂ emission	%	9,05/9,30	8,91/9,47
CO emission	ppm	6/142	6/190
O ₂	%	5,20/4,64	5,36/4,42
Flue gas temp, (80/60°C) (min/max)	°C	58,3/74,3	61,7/78,6
Flue gas temp, (50/30°C) (min/max)	°C	32,0/55,7	36,9/61,4
Flue gas overheat temperature	°C	85	
NOx class	-	6	
NOx value	mg/kWh	28	30
Gas consumption*	m ³ /h	3,18/17,88	3,39/20,49
Integrated backdraught shutter	-	Yes	No
Connection Specifications			
Boiler water inlet/outlet diameter	-	1 1/2"	1 1/2"
Air inlet diameter (B23)	mm	110	110
Flue diameter (B23)	mm	150	150
Gas supply diameter	-	1"	1"
Electrical Specifications			
Power supply	V/Hz	230/50	230/50
Electrical consumption (without pump)	W	226	295
General Specifications			
Exchanger type		Stainless steel	Stainless steel
Boiler dimensions (Width/Length/Height)	mm	557x725x910	557x815x910
Boiler weight (Net)	kg	125	130
Packaging Specifications			
Packing dimensions (Width/Length/Height)	mm	630x780x1200	630x870x1200
Boiler weight (Gross)	kg	140	150

*Gas consumption values are calculated at normal conditions, 15 °C and 101,325 kPa.

** The values are measured during nominal heat output at delta T 20 °C.

4 INSTALLATION INTRODUCTIONS

4.1 INSTALLATION

4.1.1 PACKAGING



The installer shall instruct the user about operation of the appliance, and shall inform user about the user manual

The **Wallcon X-treme** boilers are fully assembled, tested and packed in a cardboard box which maintained with styrofoam.

PACKAGE CONTENTS :

- Outdoor sensor
- Wall hung equipments (2pcs. 12 mm wall plug and 2 pcs 12 mm hook)
- User manual / Warranty certificate
- Cascade sensor
- DHW sensor (optional)
- Air inlet filter (optional)



When the boiler is unpacked, check the contents of the package, contact the dealer if there is any damage or missing components.

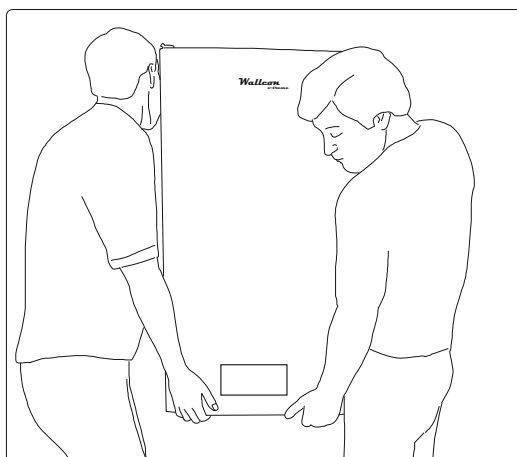


Disposing of packaging materials and leaving them accessible to children can be dangerous.



Disposing of packaging materials can be harmful for people, animals and the environment. Manufacturer is not liable for harms that may arise from such situations. Such wastes must be treated according to current regulations.

4.1.2 CARRYING

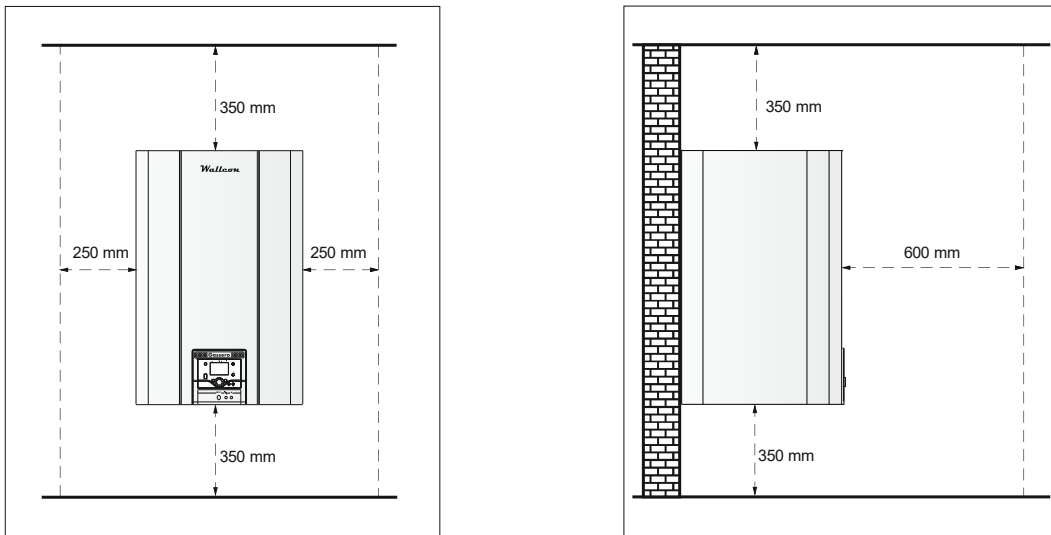


- Carry the boiler together at least two persons together by holding from the top and the bottom.
- Do not carry or lift the boiler by holding the control panel.
- After the boiler is removed from the box, it should not be placed on the gas, water and condensate connections.

4.1.3 MOUNTING

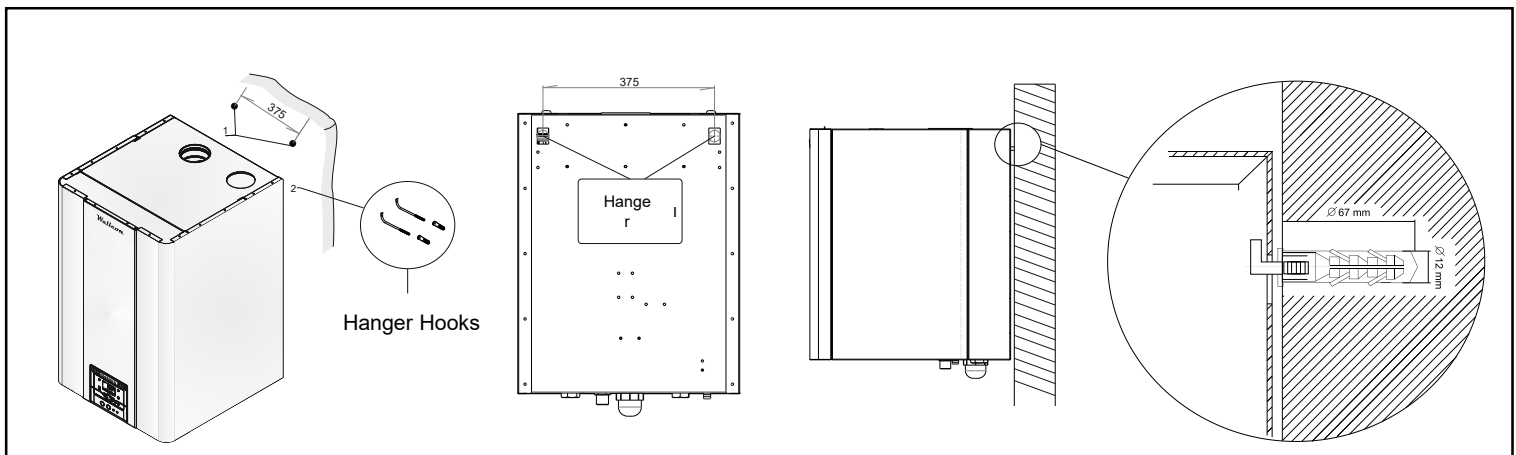
The wall must be strong enough to hold a water filled boiler. If the carrying capacity of the wall is not sufficient, an external suspension device must be provided. For example; a footed device may be used.

For ease of service operation to the boiler, the necessary distances must be left around the boiler.



Wall Mount:

- The dimensions of the hanger spaces behind the boiler are shown below.
- Drill the holes you marked with a 12 point drill.
- Screw the hooks and hanger hooks into place.
- Hang the boiler from the sling slots on the wall.



4.1.4 WATER QUALITY AND TREATMENTS

Paying attention to the following issues related to water quality will greatly reduce the problems that may arise during the life time of the boiler and ensure the continuity of the working efficiency:

- Piping and installation components must be cleaned before installation.
- In old installations, iron oxide, sludge, sediment and similar deposits should be cleaned.
- The water in the system should be analyzed in terms of hardness, pH, iron content and conductivity.



If all or a part of the heating installation is to be operated by UNDERFLOOR HEATING SYSTEM, PLATE HEAT EXCHANGER should be used and the system should be separated from each other as primary and secondary.



Faults that may arise if the water conditions are not in accordance with the values specified in the table, boiler will be considered out of warranty.

Gassero Water Specification

	Total Hardness °d	pH	Iron (Not Diluted)	Conductivity
STAINLESS EXCHANGER	1,00	7,5-9,5	<10ppm	≤2000μS/cm
ALUMINUM EXCHANGER	1,00	6,5-8,5	<10ppm	≤2000μS/cm

DYNAMIC AND CHEMICAL WASHING / FLUSHING:

In the newly established systems, to avoid the possible substances in the installation (metal shavings, some oils, residues of construction wastes etc.) flushing treatment is a mandatory.

Likewise, it is a mandatory to apply the flushing treatment without water given to the boiler in conversion of older systems.

The methods of washing / flushing are described in detail in the manual GASSERO DYNAMIC AND CHEMICAL WASHING / FLUSHING.

Neutral-based, non-acidic, non-alkaline registered products can be used to clean the installation or keep the water conditions at desired levels. You can get information from GASSERO for cleaner, preservative or inhibitor type (stopper, preventive) products or you can contact with SENTINEL or FERNOX companies.

4.2 HYDRAULIC CONNECTIONS

According to the current legislation; total heating capacity of the boiler or cascade system must be calculated to meet the building's heat demand. All necessary components must be installed and supplied correctly in the installation in a manner to perform their duty. Protective and safety devices must be used in the heating system as described in the current legislation.



In order to separate the boiler from the installation, two ball valves should be placed on the supply and the return lines.

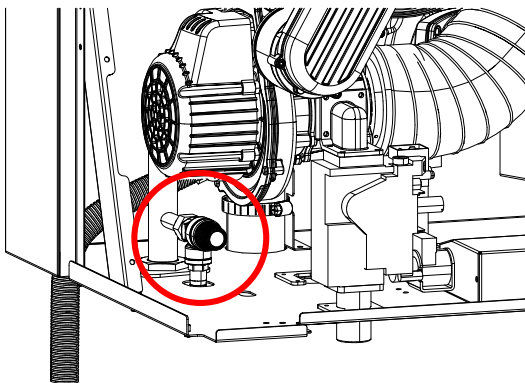
4.2.1 EXPANSION TANK

WALLCON X-treme boilers do not have an expansion tank. So the capacity of the expansion tank should be selected according to the capacity of the heating system and the static pressure.



It is recommended to place the expansion tank on the turn of the central heating system.

4.2.2 SAFETY VALVE



WALLCON X-treme boilers are equipped with a safety valve. The hose of this safety valve must be connected to a drain. Manufacturer cannot be held liable for damages caused by water flow into the boiler or on the ground when excessive pressure is generated in the heating installation.

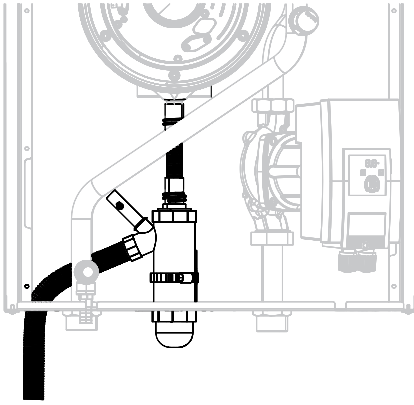


Safety valve must not be used as a means of draining water from the system.



Draining water of the safety valve can be very hot. Beware of scalding.

4.2.3 CONDENSATION WATER DRAIN



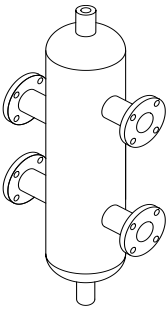
Condensation water which is generated during the combustion, transfers to the water drain connection by the syphon and drain hose. Condensation water is acidic and corrosive (approx. 2 ph). So all of the connections which are made for condensation water must be made with PP type pipes. Condensation water must be transferred to the drain with the shortest way possible. For health and environmental reasons it mustn't transfer such places near people, animals and plants.

- Condensation water must not be connected to rain drain systems.
- The condensate drain line must have a slope of at least 3%.
- A neutralization tank should be used for condensate water occurring in systems with a total power of 200 kW and above.
- It is mandatory to comply with the relevant local regulations for the discharge of condensate water.



Condensate outlet shall not be blocked or tampered with!

4.2.4 HYDRAULIC SEPARATOR



These are used to compensate the pressure differences in systems where multiple pumps and / or heating circuits are used, to eliminate excessive pressure differences between boiler's inlet and outlet water temperatures and to prevent thermal stresses in the boiler.

- Dimensions, input and output distances should be selected correctly.
- Via a sensor to be placed on it, the general temperature of the system is determined by the hydraulic separator.
- There must be an automatic air relief valve on the hydraulic separator.



In case the water in the system is dirty, chalky or corrosive, plate heat exchanger should be used instead of balance container.

4.2.5 PLATE HEAT EXCHANGER

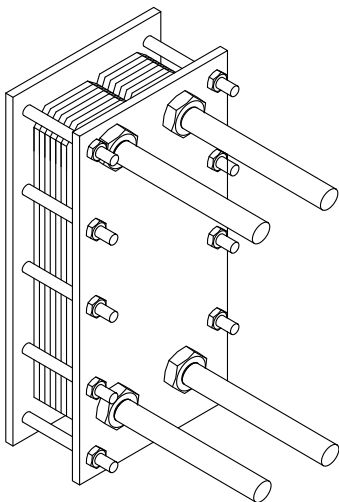


Plate heat exchangers are hydraulic equipments that separates the boiler and the installation (primary and secondary zones). Unlike the hydraulic separator circulating water in the plate heat exchanger never interfere with the water goes through the boiler and the water goes through the installation. Only heat transfer occurs here.

Preferred for many purposes;

- If the water in the system is very dirty, chalky or corrosive,
- If the working pressure of the system exceeds the working pressure of the boiler,
- If a part or all of the system is required to operate with lower temperature values. (eg. underfloor heating systems)

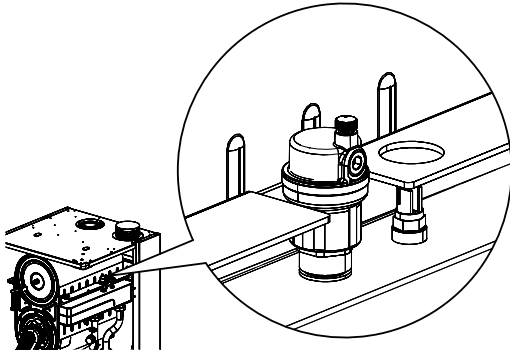


The plate heat exchanger must be used in the following cases and the system must be separated into primary and secondary.
-Heating systems which are consist of partly of fully floor heating,
-Used, older systems,
-Systems that are dirty, corrosive, bacterial and calcareous water.



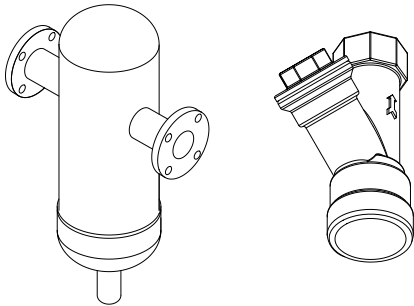
Periodic inspection and maintenance of the plate heat exchanger is important for the efficiency of the system.

4.2.6 AUTOMATIC AIR RELIEF VALVE



Wallcon X-treme 180-200 boilers have an automatic relief valve for the evacuation of the air accumulated in the heat exchanger. However, for the evacuation of the air that may occur in the installation, it is necessary to place one or more automatic air relief valves in the appropriate places of the installation. Local regulations must be followed in this regard.

4.2.7 DEPOSIT AND DIRT SEPARATOR



To remove the dirt and particles from the water, a strainer or deposit and dirt separator must be placed on the return line of the boiler.

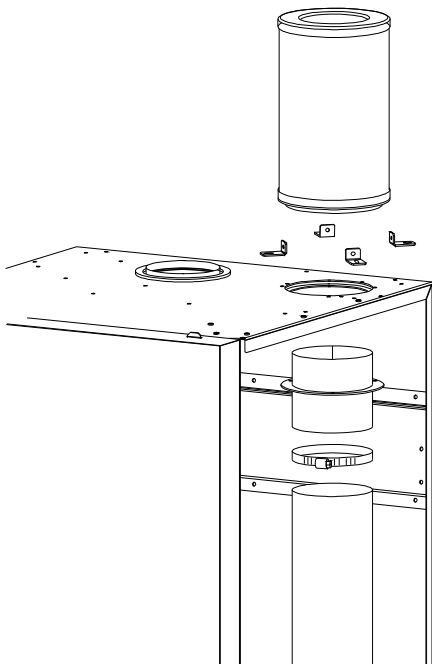
When the dirt, particles and similar deposits in the system water are not cleaned;

- The efficiency of the system decreases,
- Installation equipments (pumps, valves, plate heat exchanger, etc.) may be damaged due to overheating
- A boiler damage may occur due to heat exchanger clogging. Manufacturer cannot be held liable for damages that may occur in such cases.



Strainers or deposit and dirt separators on the system should be checked frequently and cleaned if necessary.

4.2.8 AIR INLET FILTER (OPTIONAL)



If **WALLCON X-treme** boilers will be used in to a dirty air environment, they must be supported with the air inlet filters. This optional filter must be checked regularly.








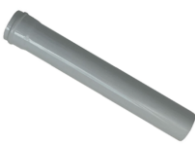



When the air inlet filter becomes dirty;

- Emission values would be deteriorated and efficient combustion wouldn't be achieved.
- The accumulation of soot occurs in the heat exchanger.
- Loud ignition and combustion occurs.
- Overheating, leakage and deformation would be observed in the flue system.



Manufacturer cannot be held liable for damages caused by dirty combustion air. Don't block the air filter partially or totally.

4.2.9 Accessories List

PICTURE	DESCRIPTION	ITEM CODE	WALLCON X-treme	
			180	200
	OUTSIDE TEMPERATURE SENSOR QAC34	400050026	●	●
	IMMERSION TEMPERATURE SENSOR QAZ36	400050020	●	●
	STRAP-ON TEMPERATURE SENSOR QAD36	400050021	●	●
	EXTENSION MODULE AVS75	400050022	●	●
	COAXIAL Apparatus Ø100/150	100115073	●	●
	ROOM UNIT (WIRED) QAA55	400050023	●	●
	Chimney Set (For Separate System) (100 mm) L=1000 mm (Elbow 90 ° + Extending Piece + Vent Termination)	400115030	●	●
	PPs Extending Piece Ø150 L=1000 mm	400116031	●	●
	PPs Extending Piece Ø150 L=500 mm	400116032	●	●
	PPs Elbow 90° Ø150	400116033	●	●
	Replacement Air Intake Filter	400090080	●	●
	Air Intake Filter Conversion Kit	400090090	●	●

4.2.10 PUMP

Wallcon X-treme 180-200 boilers are not equipped with any pump; and pumps, that are according to the latest ErP regulation, shall be connected before commissioning.

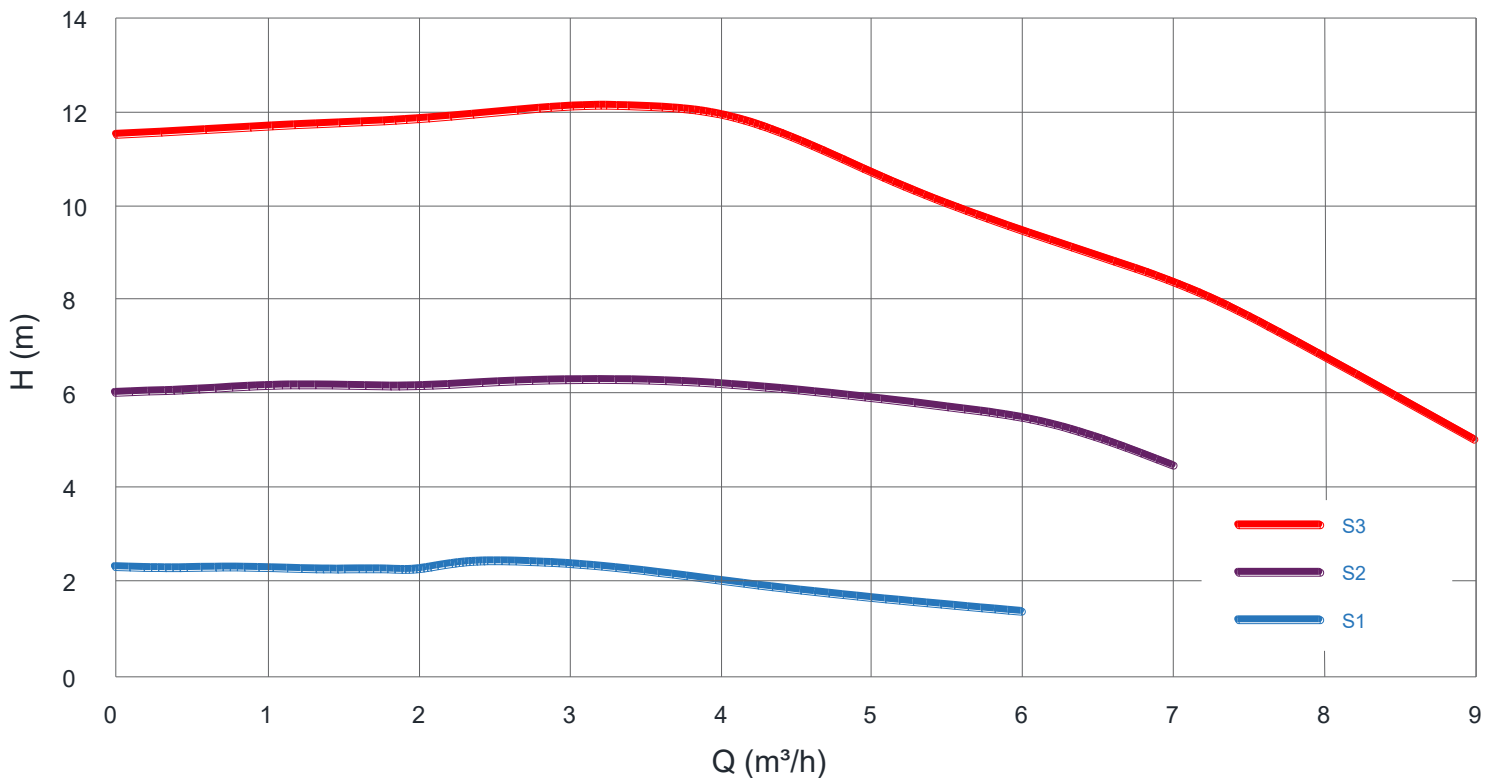


Wallcon boilers shall not be used without a suitable pump, a suitable pump shall be selected according to pressure loss of the boiler + primary circuit, and the flow rate given in the technical table for each boiler capacity. *The selected pumps shall be compatible with control board of the boiler (voltage, current, connections, etc.)*

		WALLCON X-treme 180	WALLCON X-treme 200
Water flow rate	m ³ /h	1,35/7,83	1,49/8,45
Pump delivery head	mWC	7,6	6,0



The electrical connection of pumps in **Wallcon X-treme** boilers shall be made on the terminal block according to instructions pages 20, 21, 22 .



4.3 FLUE CONNECTIONS

Flue and chimney connections must be carried out in accordance with applicable regulations and relevant standards. Materials which are used for the flue and chimney must be resistant to the temperature, corrosive effect of condensation water and mechanical stresses and must be gas-tight.



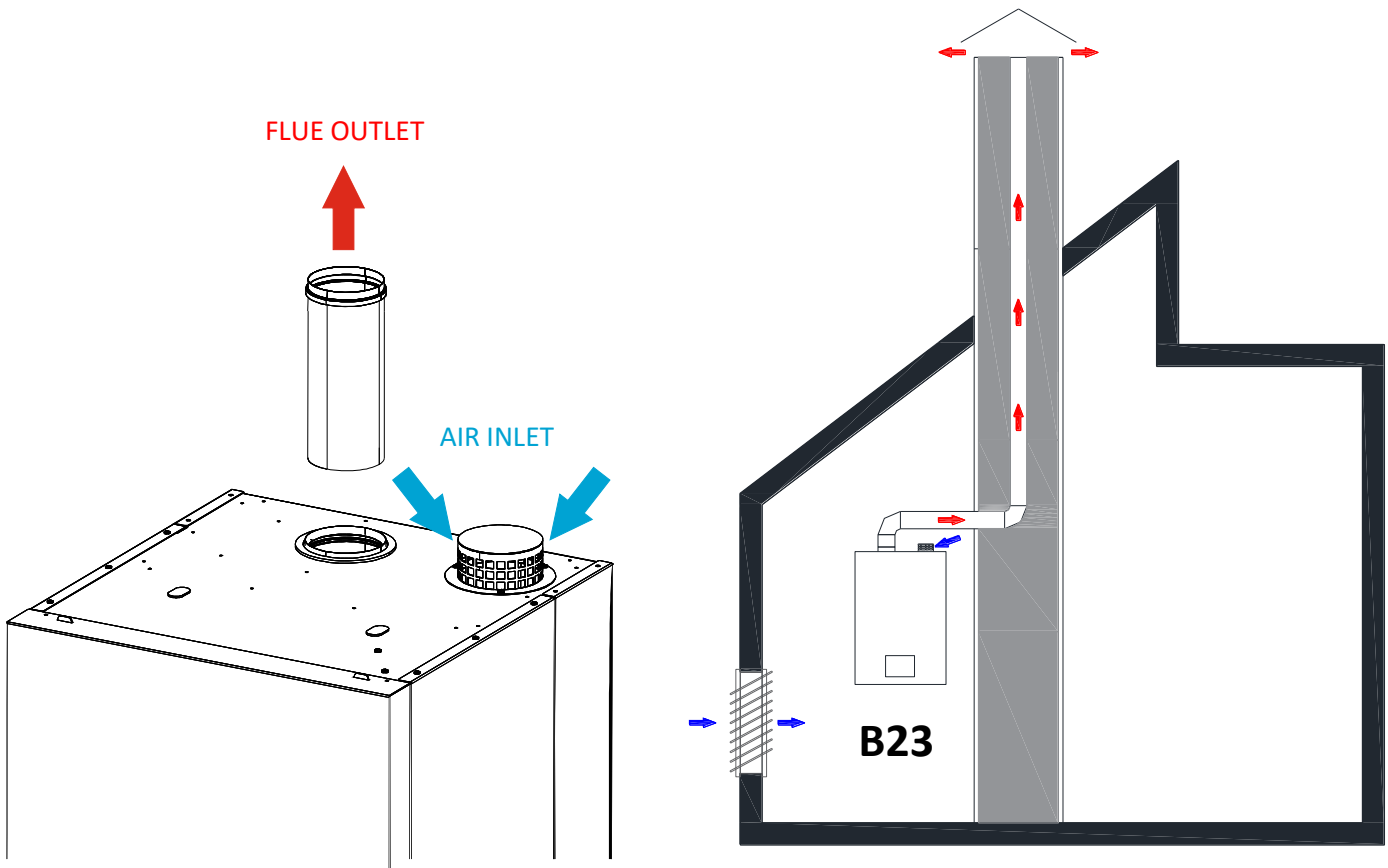
Never use the new boiler with the flues which are used for solid/liquid fuel boilers or shunt chimneys.



Chimney system and the condensation drainage systems connected to it should be checked once a year and cleaned if necessary.

4.3.1 FLUE TYPES

Wallcon X-treme 180 - 200 RU boiler's are can only work with B23 flue type. In this type of flue, boiler intake required air from same enviroment. Waste gas taken out to the outside via flue set.



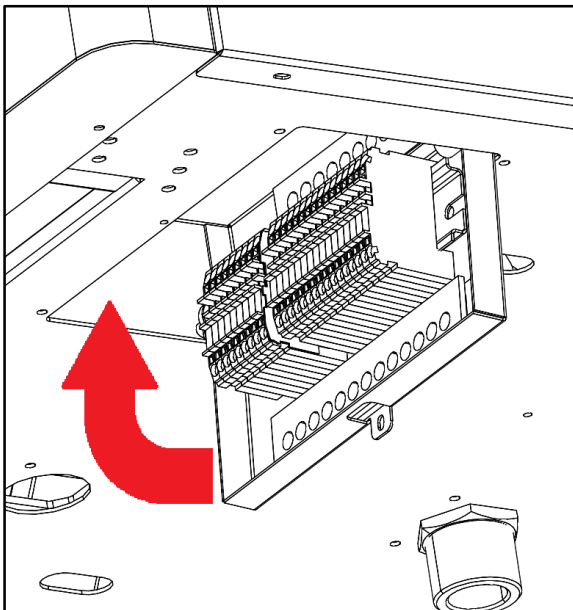
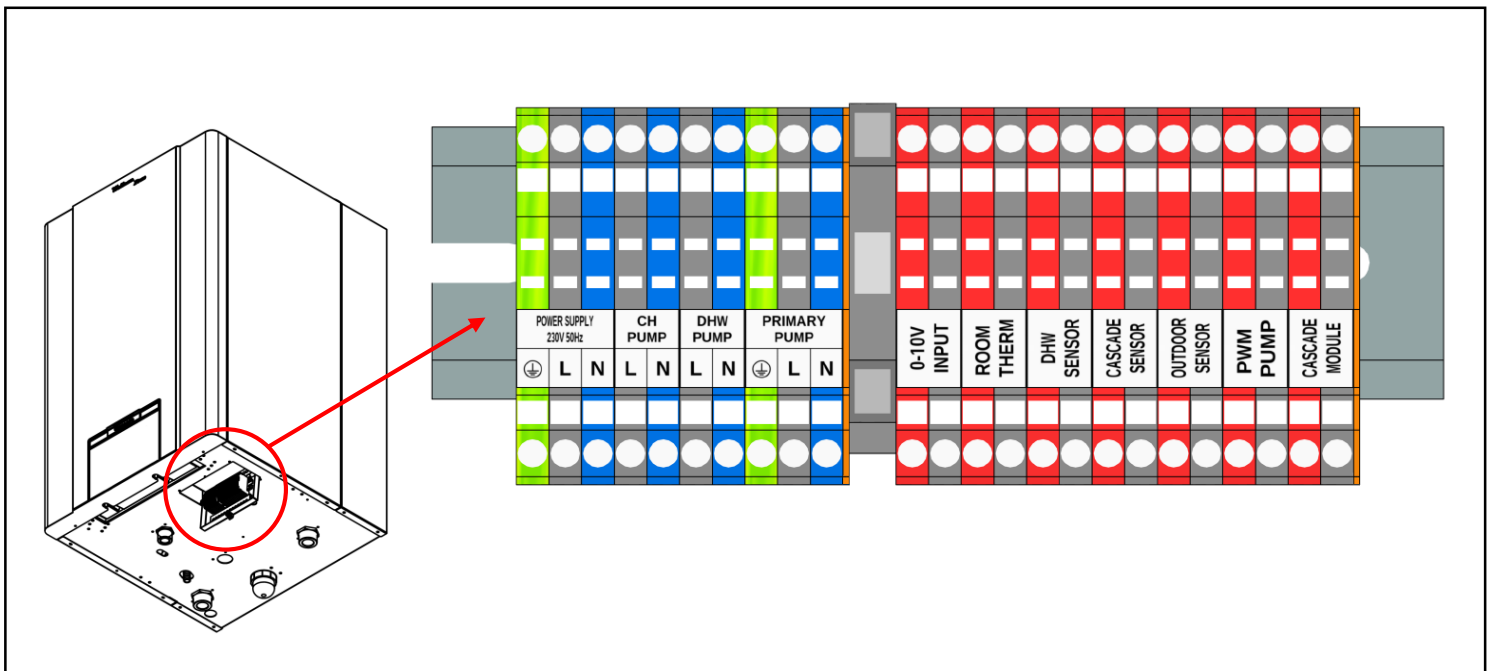
4.4 ELECTRICAL CONNECTIONS

- For the operation of the boiler, a grounded electrical supply 230 VAC 50Hz is required (tolerance must be between -15% ve +10%).
- Electric supply of the boiler must be cut off via a fuse during the maintenance.
- Electrical operations must be made by authorized technical personal in accordance with regulations and standards.
- Cables should not be passed close to hot surfaces (such as hot water pipes).
- L (phase), N(neutral) and grounding connections must be made properly.
- All cables must be fitted with a ferrule.

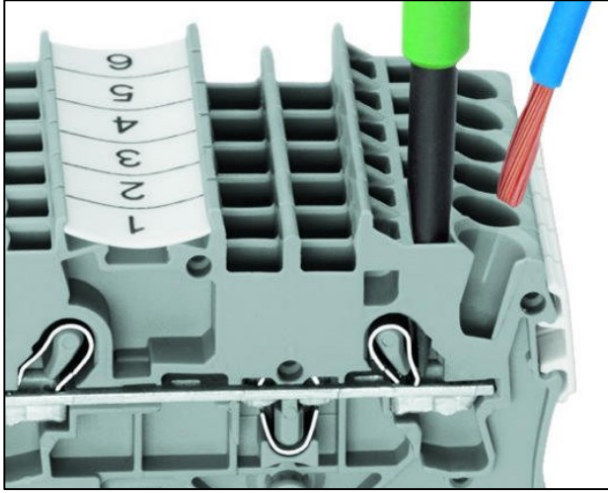
4.4.1 WIRING



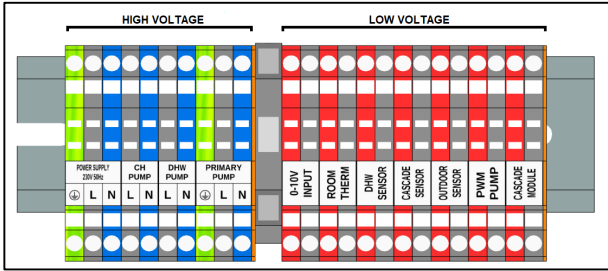
The manufacturer cannot be held liable for damages caused by negligence or incorrect operation in the earthing of the boiler.



- The terminal box has a movable structure thanks to the spring hinges. In this way, ease of movement is provided to the service personnel who will make the electrical connections.
- Note: During the Commissioning / Service operation, the lower cover of the terminal box must be opened and the operation must be performed. This cover must be closed at the end of the operation and the fixing screw must be replaced.
- The terminal box is equipped with plastic cable holders for easy and sequential cable entries.
- The plastic cable holders are pierced with a screwdriver. While the cables are passed through the plastic holders, an order is made in accordance with the order of the terminals.



- The cable connection pin is pushed by inserting a terminal screwdriver of suitable size into the rectangular hole. The screwdriver can be screwed there until the connection is completed.
- After the cable connection is made, the screwdriver is pulled and the next connection is made.
- The end of the cable should be stripped approximately 10 mm and be sure that it is fully seated.
- It is not necessary to attach a cable end sleeve to the end of the cable when connecting.

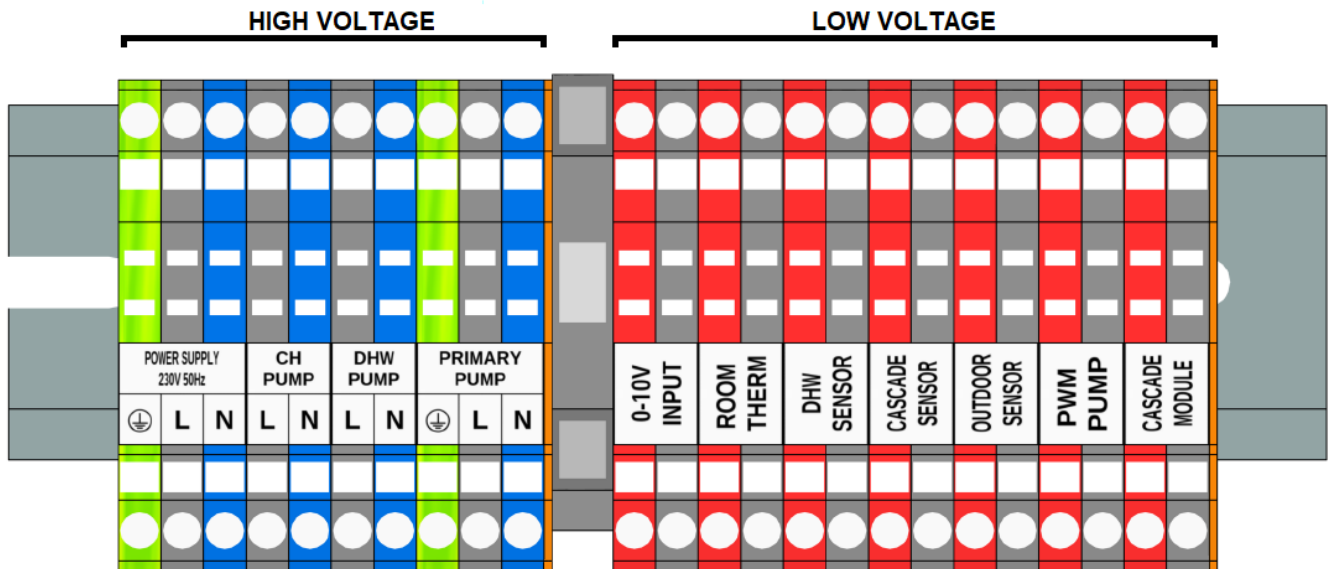


- The cable connections must be checked. This check can be done by pulling the cable back (excessive force should not be used).
- The terminal blocks are listed in 2 separate groups as High Voltage and Low Voltage in accordance with EMC (Electromagnetic Compatibility) standards and special labels are used for the connections.



- In this way, mistakes are prevented while making cable connections.
- Yellow shrink tube is used on the boiler side of the cables. In this way, confusion is prevented while making the cable connections between the boiler and the terminal.
- The meaning of the codes written on the yellow shrink tube is affixed to the bottom of the boiler as a terminal information label.

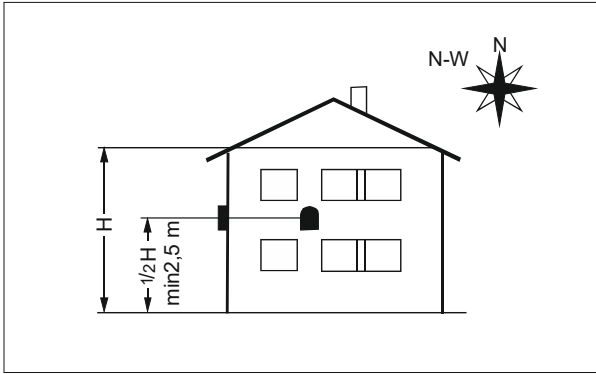
X1a	— Ana Besleme — Main Supply — 电输入	H5	— Oda Termostati — Room Thermostat — 外部控制
QX1	— Kazan Pompası — Primer Pump — 锅炉循环泵	X4a	— 0-10 V Input — 0-10 V Input
QX2	— Tesisat Pompası — Central Heating Pump — 系统循环泵	(6-2)	— 0-10 V 输入
QX3	— DHW Pompası — DHW Pump — 生活热水循环泵	OCI	— Kaskad Modülü — Cascade Module
BX1	— Kaskad Sensörü — Cascade Sensor — 联机温度传感器	345	— 联机通讯线
B9	— Dış Hava Sensörü — Outdoor Temp. Sensor — 室外温度传感器	OCI	— Modbus Modülü — Modbus Module
		351	— 通讯模块
		X10b	— Pwm Pompa Kont. Kab. — Pwm Pump Control Cable
		(1-2)	— 脉冲宽度调制
		B3	— DHW Sensörü — DHW Sensor — 生活用热水传感器



POWER SUPPLY	BROWN= PHASE , BLUE = NEUTRAL , YELLOW = GROUND (Phase line has to be connected to a 6A fuse.)
CH PUMP	Using for system pump control via master boiler. 2 X 1,5 cable has to be connected to SYSTEM PUMP contactor's phase terminal on the electrical panel. Electrical panel connections will be made by the installation services. Boiler connections from the electrical panel will be made by authorized Gassero service.
DHW PUMP	Using for DHW pump control via Master boiler. 2 X 1,5 cable has to be connected to DHW PUMP contactor's phase terminal on the electrical panel. Electrical panel connections will be made by the installation services. Boiler connections from the electrical panel will be made by authorized Gassero service.
PRIMARY PUMP	Using for Boiler pump control.

0-10V INPUT	Used for to connect Remote Control Systems.
ROOM THERM	Room comfort setting and operation mode can be adjusted. Maximum 50 m length connection is possible.
DHW SENSOR	Measures the DHW tank temperature. It can operate from 0 ° C to 95 ° C. (with + 0.5 / -0.5 ° C tolerance.)
CASCADE SENSOR	Connects to the supply collector, the hydraulic separator or the plate heat exchanger. Measures the flow temperature. It operates from 0 ° C to 95 ° C. (with + 0.5 / -0.5 ° C tolerance).
OUTDOOR SENSOR	Boiler or cascade system operates according to the outside air temperature. Maximum 50 m length connection is possible. It operates in the range of -50 ° C to 70 ° C (with + 1 / -1 tolerance)
PWM PUMP	Connected to the 0-10 V sockets of the frequency-controlled (modulated) SECONDARY PUMP. Controls the modulation of the pump.
CASCADE MODULE	It provides communication between boilers in cascade systems.

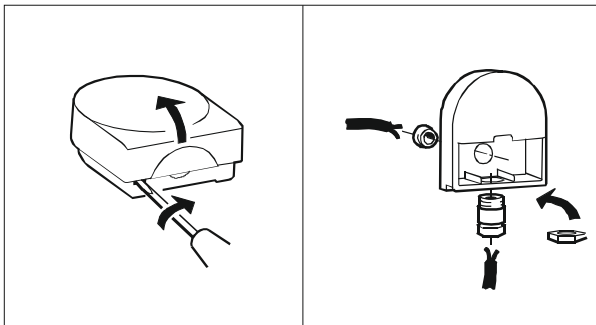
4.4.2 OUTSIDE TEMPERATURE SENSOR



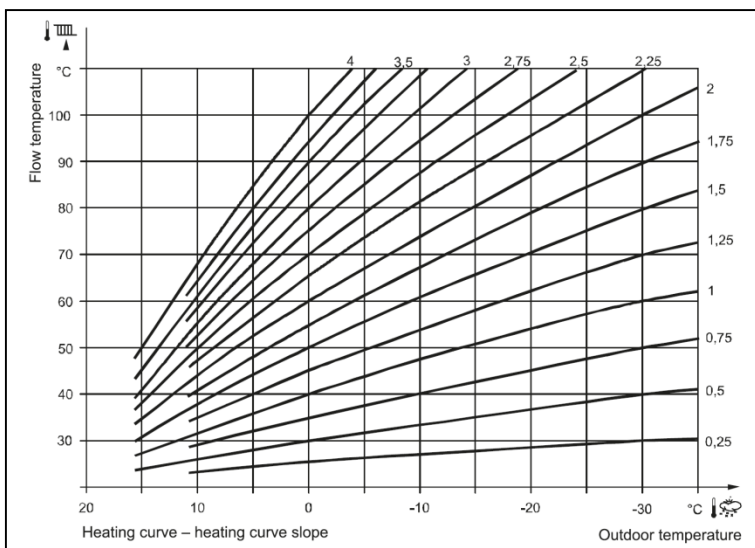
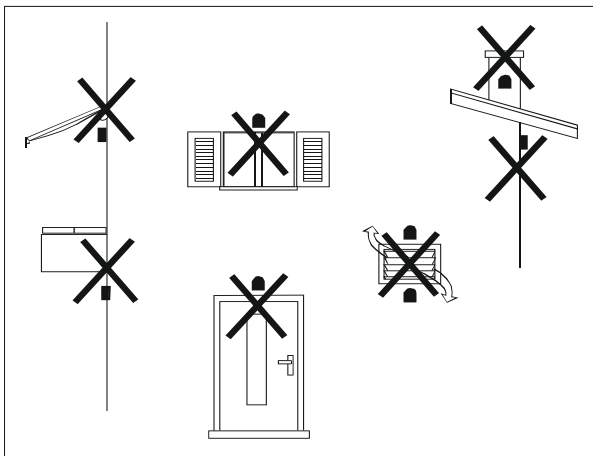
When an outside temperature sensor installed, boiler will adjust supply temperature according to the outside temperature in order to provide energy saving without compromise the comfort.

Outside Temperature Sensor must be Installed;

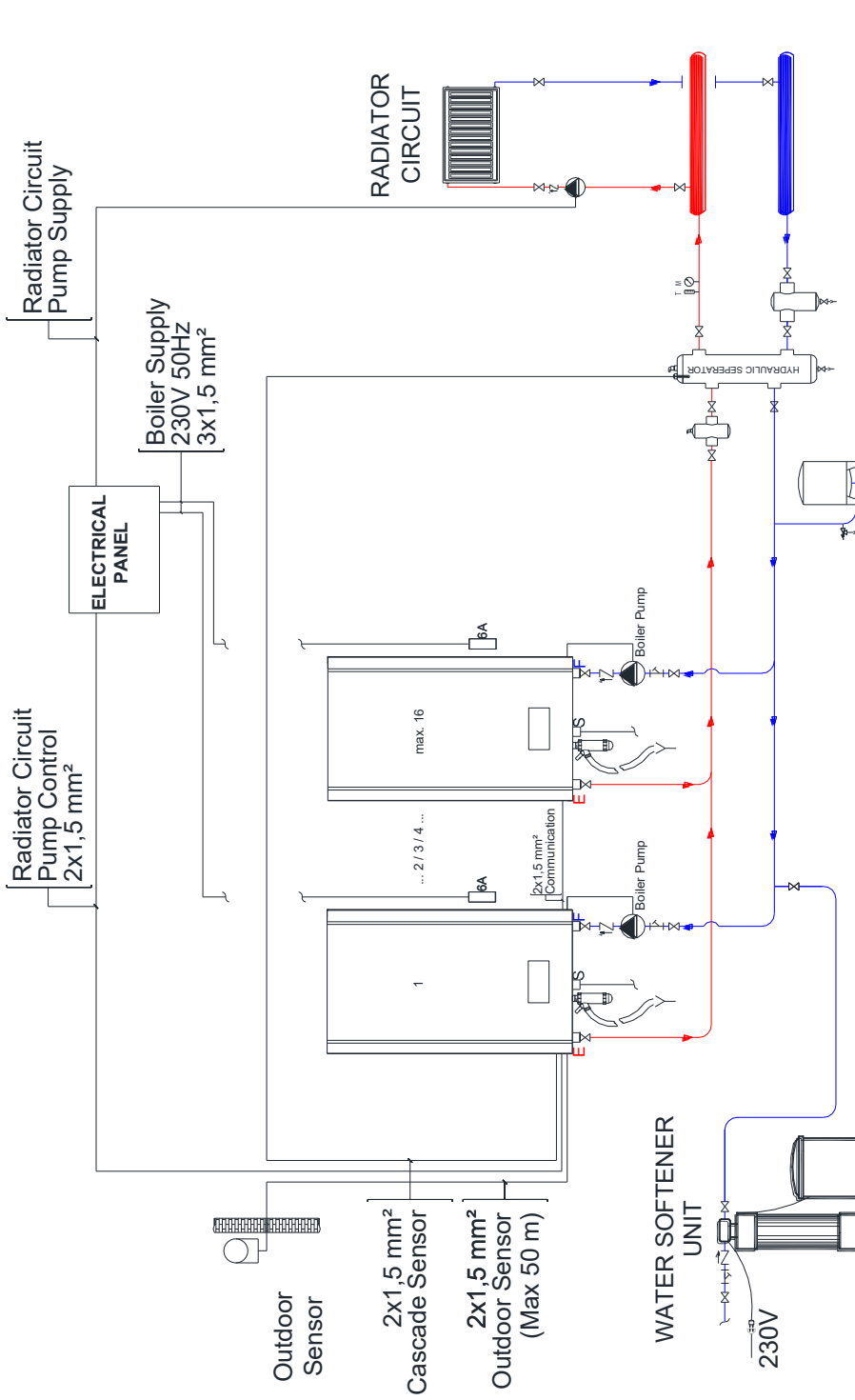
- north or north-west direction of outside of the building,
- at a height of minimum 2,5m from the ground,
- not exposed to direct sunlight,
- straight side of the wall,
- in a place away from doors, windows, chimneys and vents.



- Open the sensor housing cover by turning it counterclockwise to access the sensor connection terminal and the wall fixing holes.
- Mark the fixing points on the wall and drill the wall using the storage box as a template.
- Secure the box to the wall using the two anchors provided.
- Connect the two-wire cable from the boiler to the terminal box (nonpolar).
- Tighten the nut in the housing box to ensure watertightness of the cable connection.
- Maximum length between the control panel and the outside temperature sensor is 50 meters.
- Sensor cable has to be used as a single cable as possible. Aware of multiple additions as far as possible.

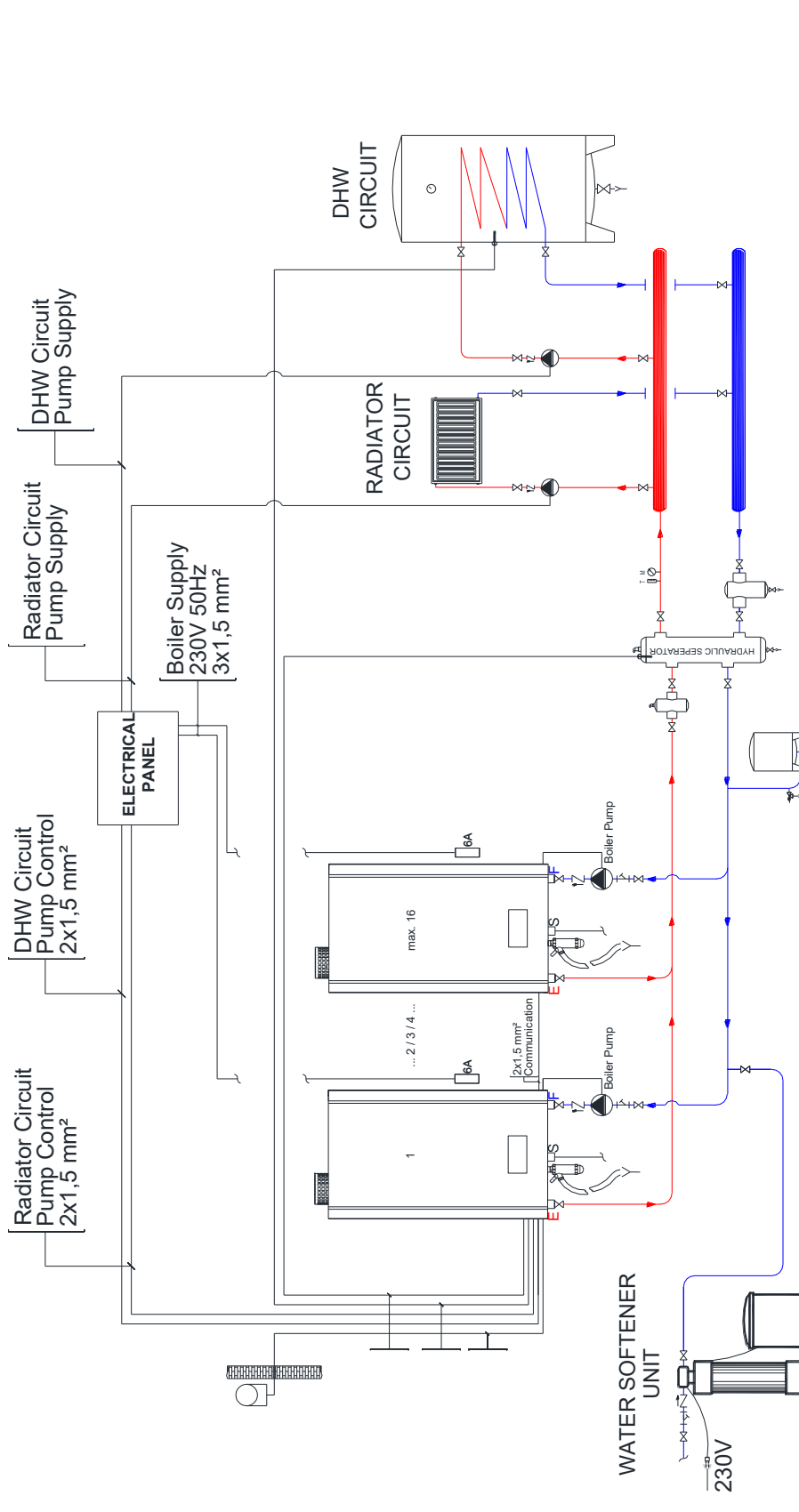


5 INSTALLATION EXAMPLES



ENSOR & MODULE LIST
Outdoor Sensor (QAC34) 1 Pcs.
Immersion Type Temperature Sensor (QAZ36) 1 Pcs.

	PUMP		VALVE		STRAINER		TEMPERATURE SENSOR		OUTDOOR SENSOR		AIR RELIEF VALVE		THERMOMETER		MANOMETER		SAFETY VALVE		DRAIN		AIR SEPARATOR		DIRT SEPARATOR		EXPANSION VESSEL		3-WAY VALVE
--	------	--	-------	--	----------	--	--------------------	--	----------------	--	------------------	--	-------------	--	-----------	--	--------------	--	-------	--	---------------	--	----------------	--	------------------	--	-------------

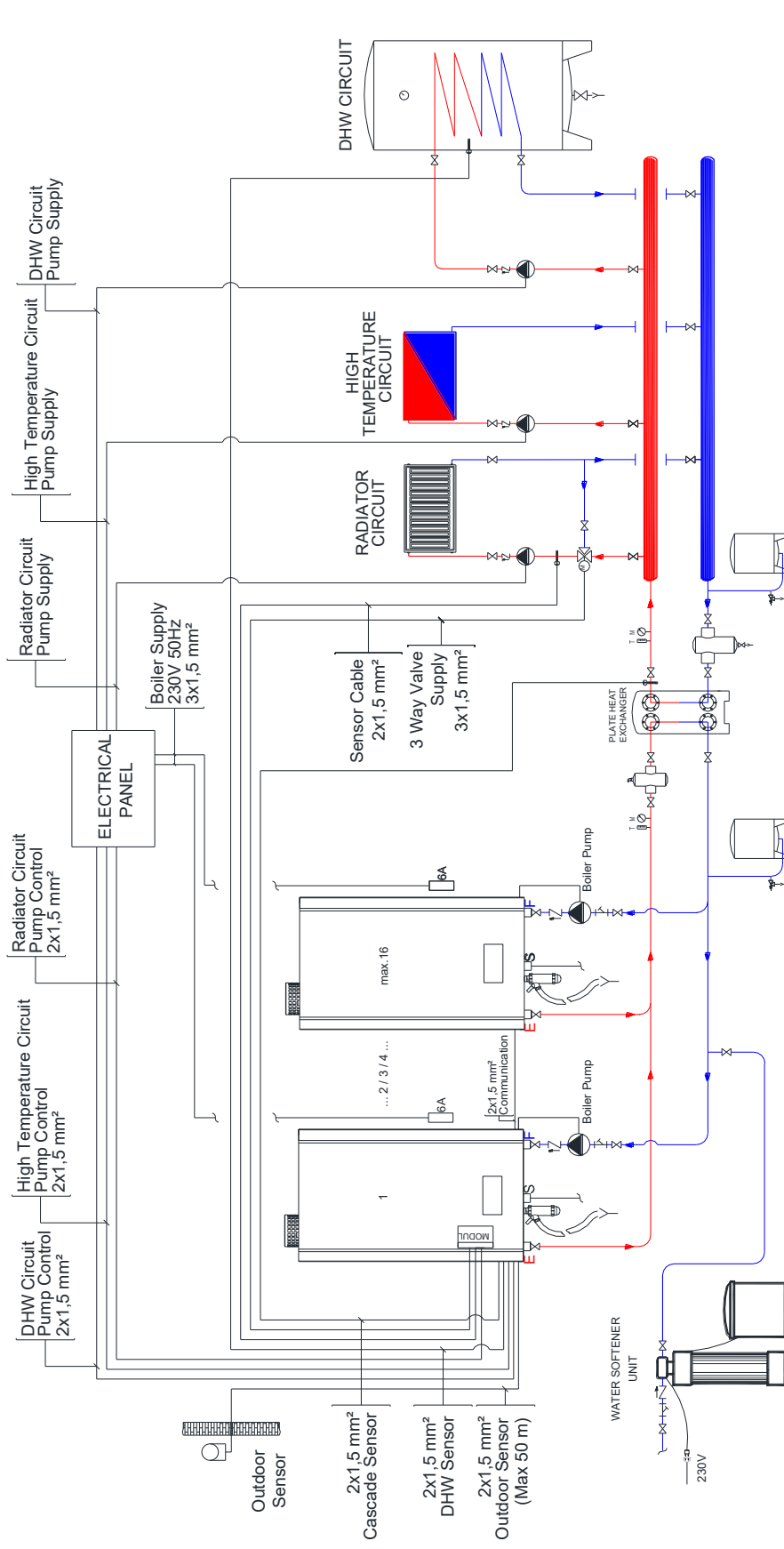


E = Water Inlet Connection
F = Water Outlet Connection
S = Gas Inlet

SENSOR & MODULE LIST

- 1. Outdoor Sensor (QAC34) **1 Pcs.**
- 2. Immersion Type Temperature Sensor (QAZ36) **2 Pcs.**

	PUMP		VALVE		NON-RETURN VALVE		STRAINER		TEMPERATURE SENSOR		OUTDOOR SENSOR		AIR RELIEF VALVE		THERMOMETER		MANOMETER		SAFETY VALVE		DRAIN		AIR SEPARATOR		DIRTY SEPARATOR		EXPANSION VESSEL		3-WAY VALVE
--	------	--	-------	--	------------------	--	----------	--	--------------------	--	----------------	--	------------------	--	-------------	--	-----------	--	--------------	--	-------	--	---------------	--	-----------------	--	------------------	--	-------------



E = Water Inlet Connection
F = Water Outlet Connection
S = Gas Inlet

SENSOR & MODULE LIST

- 1. Outdoor Sensor (QAC34)** 1 Pcs.
- 2. Immersion Type Temperature Sensor (QAZ36)** 3 Pcs.
- 3. Extension Module (AVS75)** 1 Pcs.

	PUMP		VALVE		NON-RETURN VALVE		STRAINER		TEMPERATURE SENSOR		OUTDOOR SENSOR		AIR RELIEF VALVE		THERMOMETER		MANOMETER		SAFETY VALVE		DRAIN		AIR SEPARATOR		DIRT SEPARATOR		EXPANSION VESSEL		3-WAY VALVE
--	------	--	-------	--	------------------	--	----------	--	--------------------	--	----------------	--	------------------	--	-------------	--	-----------	--	--------------	--	-------	--	---------------	--	----------------	--	------------------	--	-------------

6 OPERATION

6.1 GENERAL

In order to start the boiler:

- Switch on the main supply switch,
- Open water valves,
- Control the water pressure,
- Open the gas valve,
- Control the gas pressure.

After the above steps you can use the HMI to adjust the boiler.

WALLCON X-treme boilers;

- Controls 3 heating zones. It could be increase with placing additional zone modules.
- Calculates exact temperatures for each zone via sensors and outside temperature sensor.
- Saves and display the fault and error history.
- Integrated with cascade control system to work with multiple boilers according to heat demand equally.
- Integrated with frost and legionella protection systems.
- Can be control via internet or BMS systems with additional modules.



All comissioning, installation, maintenance etc. must be performed by authorized personnel.

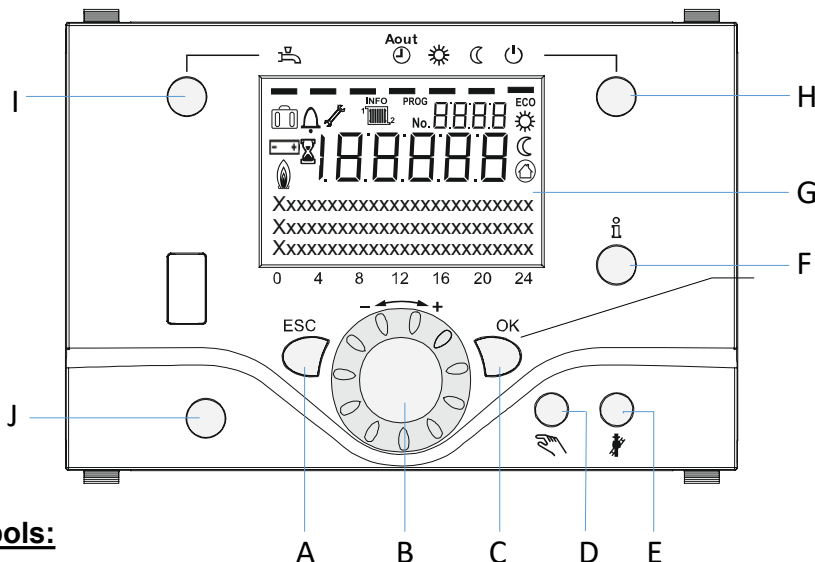


Improper interventions may cause loss of life and property, increased fuel consumption, and deterioration in safe and comfortable operation.



Manufacturer cannot be held liable for any problems caused by incorrect adjustments and interventions.

6.2 DISPLAY AND BUTTONS



Display symbols:

- | | |
|--------------------------------------|--|
| Comfort setting for heating | PROG Programming menu activated |
| Reduced heating setting for heating | ECO ECO function activated |
| Frost protection setting for heating | Holiday function activated |
| In progress – Please wait | Heating reference |
| Change the battery | Maintenance mode |
| Burner on | Error |
| INFO Info menü activated | |

DISPLAY (G)

Backlight display automatically turn off without operation. Push any button to turn it on again. Screen displays information / settings below:

- Operation modes
- Temperatures
- Parameters
- Faults / errors

HEATING MODE BUTTON (H)

Used for to choose and select 4 different heating modes.

DHW MODE BUTTON (I)

Used for to turn on or off the DHW mode.

NAVIGATION AND ADJUSTMENT KNOB (B)

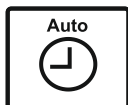
Changes comfort temperature setting. Additionally it also used for; increase / decrease temperatures, choose and select sub menus, Change the settings.

OK BUTTON (C)

Used for to apply selected value or setting. In the parameters section this button is used for the further menu options.

HEATING MODE SELECTION :

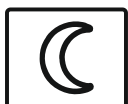
Press the appropriate button to select between different heating modes:



Auto : Boiler will be operated according to adjusted time program.



Comfort Temperature : Boiler will be operated according to adjusted comfort temperature permanently.



Reduced Temperature : Boiler will be operated according to adjusted reduced temperature permanently.



Standby : Heating will be turned off, but frost protection still activated unless the power supply is disconnected.

CANCEL BUTTON – ESC (A)

Used for to cancel the settings and return to upper menu section.

MANUAL CONTROL BUTTON (D)

Used for to run to boiler manually. During the manual operation all pumps will be ran, but mixing valves wouldn't be operated. Burner temperature will be held at adjusted temperature while the commissioning. Pushing to this button more than 3sec will be operated the air relief function. During this function burner will held into standby mode, pumps will be energised periodically, mixing valves ran into middle position. This function will be turned off automatically after the cycle.

FLUE FUNCTION (E)

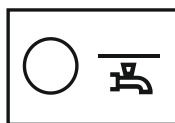
Used for flue gas emission measuring. During this function boiler will be operated according to maximum adjusted temperature until it reach the exact value. Then this function will be turned off automatically.

INFO BUTTON (F)

Used for the display boiler information such as temperatures, operating modes, error codes etc.

RESET BUTTON (J)

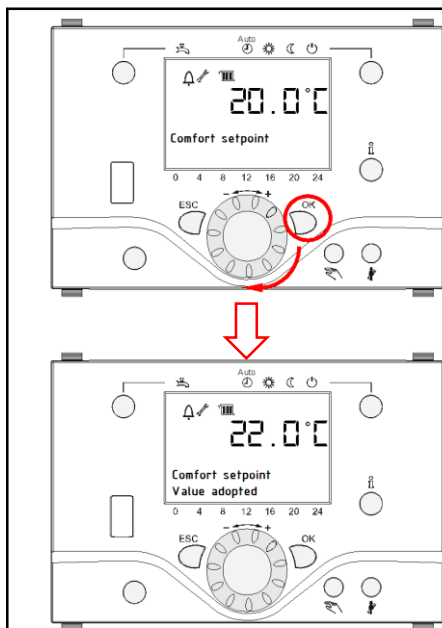
Used for to reset any fault and error which caused to stop the boiler.



DHW MODE SELECTION :

When the corresponding button is used, the boiler is switched on to operate synchronously with the units that produce hot water (DHW tank, plate heat exchanger, etc.). This function can be switched off or on. Pressing the button once will be activate the boiler to heat the DHW tank. Pressing it again disables DHW tank heating. Pressing the button for 3 seconds activates the Quick Water Heating Mode for faster hot water production.

6.3 OPERATING MODE SELECTION



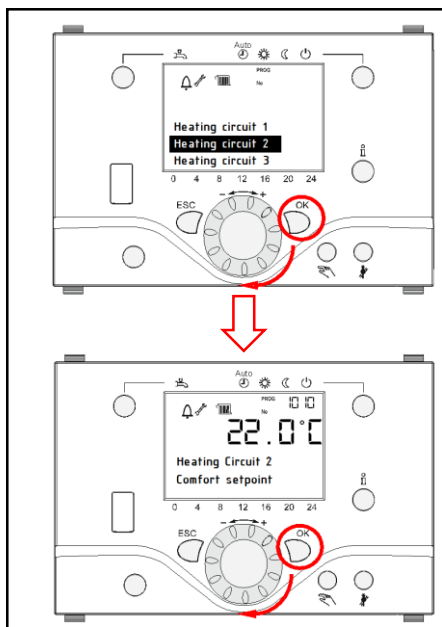
ADJUSTING THE ROOM TEMPERATURE:

The temperature (comfort value) of the room which is heated by the heating circuit-1 is set by the Navigation Button. The boiler will be activated and keep the room temperature constant to the set temperature.

To adjust;

Turn the Navigation Knob in any direction

Set the desired room temperature and press OK. (Factory setting is 20°C)



ADJUSTING OTHER HEATING CIRCUITS:

If there is more than one heating circuit in the system, the comfort temperature can be set separately for each circuit.

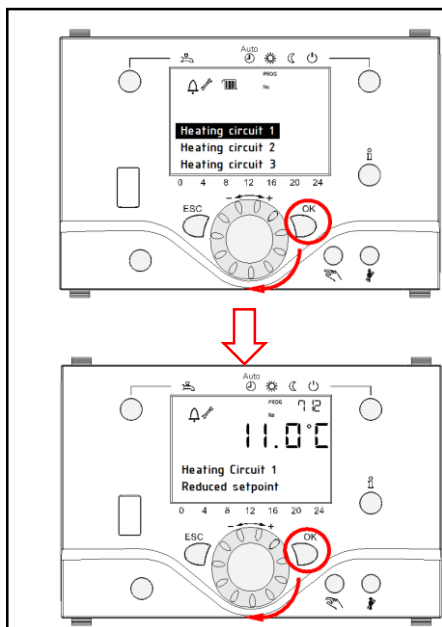
To adjust;

Press OK

Turn the Navigation Knob to select Heating circuit-2 and press OK

Adjust the desired room temperature and press OK

Press ESC button to return upper menu and adjust other heating circuits



REDUCED TEMPERATURE:

A temperature limit for the room temperature. When the room temperature falls below the set temperature, the boiler will be activated and keep the room temperature constant. (Factory setting is 10 °C)

To adjust;

Press OK

Turn the Navigation Knob and select Heating circuit-1 by pressing OK

Turn the navigation Knob and select Heating circuit-1 Reduced setting temperature by pressing OK

Adjust the desired Reduced setting temperature and press OK.

Press ESC button to return upper menu and adjust other heating circuits

FROST PROTECTION :

The Wallcon boilers have frost protection, which is switched on whenever the flow temperature drops below set value of 4 °C independent of operating modes, holidays or ECO functions.

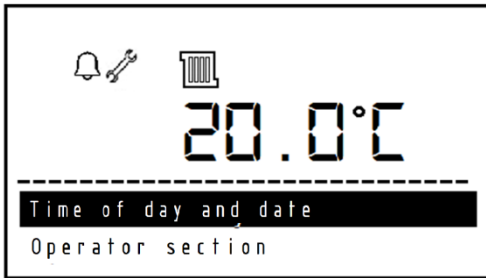
The frost protection remains active until the flow temperature exceeds the set value by 2 K , and then continues to be active for 5 minutes.

While the frost protection is active, if necessary burner may be started up.



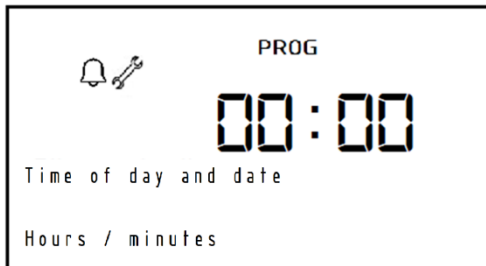
Frost Protection function is valid only for boiler, can not protect the installation.

6.4 PROGRAMMING



If there is no other control panel (cascade control unit, etc.) in the system, all personalized settings, parameters, fault resets will be made via the control panel.

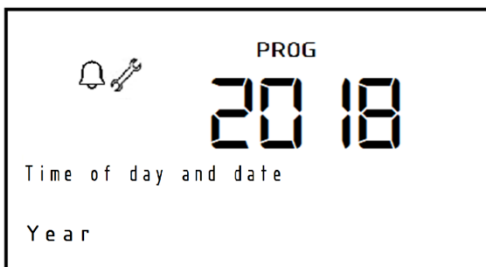
E.g. ;
Date and time adjustment:



Push **OK** button. Select «**Time of day and date**» then push **OK** button again.



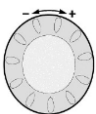
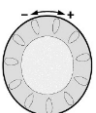

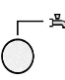
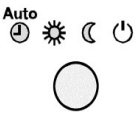






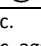

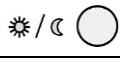
Push **OK** button for adjustment. Push **OK** button to adjust hour and minute settings.



Turn the adjustment knob one click and set month and day with pushing **OK** button.

Push **OK** button to adjust the year as a final step. Push **ESC** button to return the home screen.

6.5 MAIN FUNCTIONS

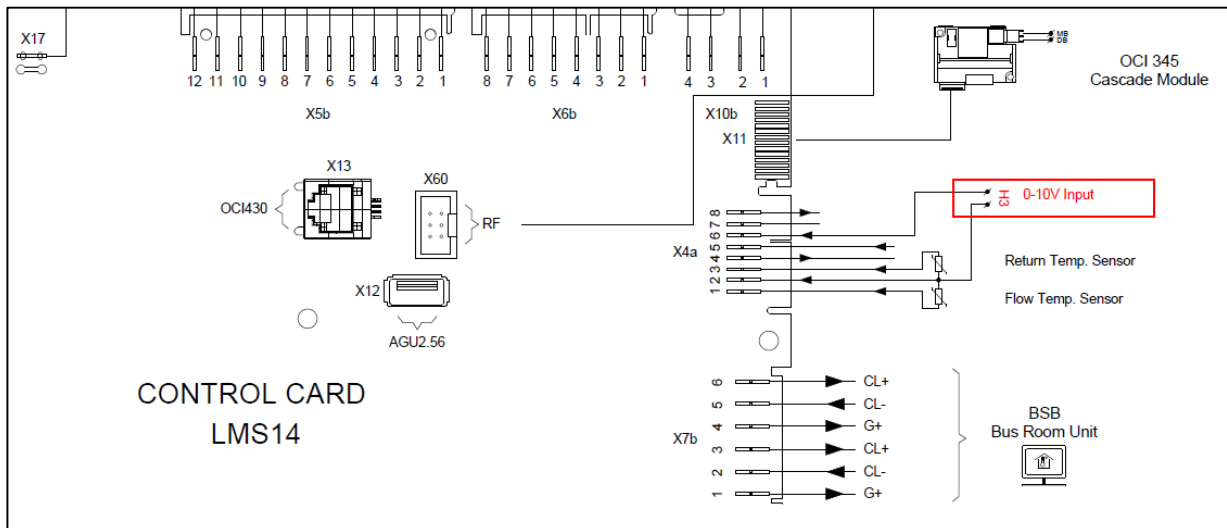
Button	Action	Procedure	Display / Function
	Set room temperature	Zone 1 and zone 2 Actuate rotary knob left/right Turn rotary knob Confirm with OK button or wait 5 sec. or press	Comfort setpoint with blinking temperature Blinking temperature in 0,5 °C steps from 10 to 30 °C Comfort setpoint saved Comfort setpoint cancelled - after 3 sec. Main menu appears
	Set room temperature for zone 1 or zone 2	Zone 2 independent from zone 1 Actuate rotary knob left/right Confirm with OK button Actuate rotary knob left/right Confirm with OK button or wait 5 sec. or press 	Choose heating zone Heating zone is chosen Blinking temperature in 0,5 °C steps from 10 to 30 °C Comfort setpoint saved Comfort setpoint cancelled - after 3 sec. Main menu appears
	Switch on /off DHW operation	Press button	DHW mode on / off (see indication below DHW symbol) - On: DHW mode by time programm - Off: no DHW operation - Safety functions activated
	Change heating operation mode	Factory setting Press button 1x Press button 1x again Press button 1x again	Automatic mode on, with: - Heating by time programm - Temperature setpoint by heating programm - Safety functions activated - Summer/Winter automatic switching activated - ECO-functions activated (see indication below operation symbol) Continuous COMFORT heating on, with: - Heating without time programm by comfort setpoint - Safety functions activated Continuous REDUCED heating on, with: - Heating without time programm by reduced setpoint - Safety functions activated - Summer/Winter automatic switching activated - ECO-functions activated Safety mode on, with: - Heating off - Temperature by frost protection - Safety functions activated
	Controller Stop Mode	Press button > 3 sec. Press button > 3 sec. again	304: Controller Stopp mode insert setpoint after 3 sec. Main menu appears
	Info display	Press button 1x Press button 1x again Press button 1x again Press button 1x	INFO Segment displayed - Status Boiler - room temperature - room temperature minimum - Status DHW - room temperature maximum - Status zone 1 - outside temperature - Status zone 2 - outside temperature minimum Time / Date - DHW temperature 1 - Error indication - Boiler temperature - Maintenance indication - Flow temperature (Info display depends on configuration) Back to main menu; INFO Segment disappears
	Operation by manual setpoint Change factory setting boiler temperature	Press button 1x Press button  Press button  Turn rotary knob -/+ Press button  Press button  Press button 	Manual mode on (spanner symbol appears) - Heating by fixed setpoint (factory setting = 60 °C) 301: Manual mode insert setpoint? blinking temperature set value Status boiler Manual mode off (spanner symbol disappears)
	Deaeration	Press button > 3 sec. Press button > 3 sec. again	312: Deaeration on Deaeration off
	Activate chimney sweeper mode	Press button (< 3 sec.) Press button again (< 3 sec.)	Chimney sweeper mode on Chimney sweeper mode off
	Temporary reduction of reduced temperature on QAA75	Press button Press button again	Heating by reduced setpoint Heating by comfort setpoint
RESET	Reset button	Press button (< 3 sec.) Press button again > 3 sec.	Boiler manually blocked, no release Boiler released, Alarm symbol disappears

6.6 BMS – BOILER 0-10V MANAGEMENT

- 1) H3 output could use for 0-10V management. After cable connection, 5960 parameter should set 'Consumer Request CC1 10V' from configuration menu.
- 2) 5963-64-65-66 parameter should set for heat and value assignment.
- 3) Heating Circuit 5710 and 5715 parameter should set 'OFF' from configuration menu.
- 4) DHW (Domestic Hot Water) Circuit sensor should be cancelled from boiler.

5960	Function input H3 None ; Optg mode change HCs+DHW ; Optg mode changeover DHW ; Optg mode changeover HCs ; Optg mode changeover HC1 ; Optg mode changeover HC2 ; Optg mode changeover HC3 ; Heat generation lock ; Error/alarm message ; Consumer request CC1 ; Consumer request CC2 ; Release swi pool source heat ; Excess heat discharge ; Release swi pool solar ; Operating level DHW ; Operating level HC1 ; Operating level HC2 ; Operating level HC3 ; Room thermostat HC1 ; Room thermostat HC2 ; Room thermostat HC3 ; DHW flow switch ; DHW thermostat ; Pulse count ; Checkb sign flue gas damper ; Start prevention ; Boiler flow switch ; Boiler pressure switch ; Consumer request CC1 10V ; Consumer request CC2 10V ; Pressure measurement 10V ; Output request 10V
5961	Contact type H3 NC ; NO
5963	Voltage value 1 H3
5964	Function value 1 H3
5965	Voltage value 2 H3
5966	Function value 2 H3

Configuration	
5710	Heating circuit 1 Off ; On
5711	Cooling circuit 1 Off ; 4-pipe system cooling
5715	Heating circuit 2 Off ; On



7 PARAMETERS

Parameters of **WALLCON X-treme** boilers are divided into 4 groups according to their level:

- END USER PARAMETERS
- COMMISSIONING
- ENGINEER
- OEM



Due to incorrect adjustments energy saving operation may not be observed and the whole system or some parts of the units may be damaged.



Manufacturer cannot be held liable for malfunctions and damages resulting from incorrect settings made by unauthorized persons.

7.1 END USER PARAMETERS

MENU	LINE NO	OPERATING LINE	UNIT	MIN.	MAX.	FACTORY SETTINGS
Time of day and date	1	Hours / Minutes	hh:mm	00:00	23:59	--:--
	2	Day / Month	tt:MM	1.01	31.12	--:--
	3	Year	jjjj	2004	2099	--:--
Operator section	20	Language	-	English, Deutsch, Francais, Italiano, Dansk, Nederlands, Español, Česky, Slovenský, Türkçe		English
	29	Birimler	-	°C, bar, °F, PSI		°C, bar
Time program HC 1	500	Preselection	-	Mo-Su, Mo-Fr, Sa-Su, Mo,Tu,We,Th,Fr,Sa,Su		Mo-Su
	501	Mo-Su: 1. Phase On	hh:mm	00:00	24:00	06:00
	502	Mo-Su: 1. Phase Off	hh:mm	00:00	24:00	22:00
	503	Mo-Su: 2. Phase On	hh:mm	00:00	24:00	--:--
	504	Mo-Su: 2. Phase Off	hh:mm	00:00	24:00	--:--
	505	Mo-Su: 3. Phase On	hh:mm	00:00	24:00	--:--
	506	Mo-Su: 3. Phase Off	hh:mm	00:00	24:00	--:--
	516	Default values	-	Yes, No		No
Time program HC 2 (When activated)	520	Preselection	-	Mo-Su, Mo-Fr, Sa-Su, Mo,Tu,We,Th,Fr,Sa,Su		Mo-Su
	521	Mo-Su: 1. Phase On	hh:mm	00:00	24:00	06:00
	522	Mo-Su: 1. Phase Off	hh:mm	00:00	24:00	22:00
	523	Mo-Su: 2. Phase On	hh:mm	00:00	24:00	--:--
	524	Mo-Su: 2. Phase Off	hh:mm	00:00	24:00	--:--
	525	Mo-Su: 3. Phase On	hh:mm	00:00	24:00	--:--
	526	Mo-Su: 3. Phase Off	hh:mm	00:00	24:00	--:--
	536	Default values	-	Yes, No		No
Time program 4/DHW	560	Preselection	-	Mo-Su, Mo-Fr, Sa-Su, Mo,Tu,We,Th,Fr,Sa,Su		Mo-Su
	561	Mo-Su: 1. Phase On	hh:mm	00:00	24:00	06:00
	562	Mo-Su: 1. Phase Off	hh:mm	00:00	24:00	22:00
	563	Mo-Su: 2. Phase On	hh:mm	00:00	24:00	--:--
	564	Mo-Su: 2. Phase Off	hh:mm	00:00	24:00	--:--
	565	Mo-Su: 3. Phase On	hh:mm	00:00	24:00	--:--
	566	Mo-Su: 3. Phase Off	hh:mm	00:00	24:00	--:--
	576	Default values	-	Yes, No		No
Holidays HC1	641	Preselection	-	Period 1, 2, 3, 4, 5, 6, 7, 8		Period 1
	642	Period Start Day / Month	tt.MM	01.01	31.12	--:--
	643	Periode End Day / Month	tt.MM	01.01	31.12	--:--
	648	Operating level	-	Frost protection, Reduced		Frost protection
Holidays HC2 (When activated)	651	Preselection	-	Period 1, 2, 3, 4, 5, 6, 7, 8		Period 1
	652	Period Start Day / Month	tt.MM	01.01	31.12	--:--
	653	Periode End Day / Month	tt.MM	01.01	31.12	--:--
	658	Operating level	-	Frost protection, Reduced		Frost protection
Holidays HC3 (When activated)	661	Preselection	-	Period 1, 2, 3, 4, 5, 6, 7, 8		Period 1
	662	Period Start Day / Month	tt.MM	01.01	31.12	--:--
	663	Periode End Day / Month	tt.MM	01.01	31.12	--:--
	668	Operating level	-	Frost protection, Reduced		Frost protection
HC1	710	Comfort setpoint	°C	Value from Line no. 712	35	20
	712	Reduced setpoint	°C	4	Value from Line no. 710	16
	714	Frost protection setpoint	°C	4	Value from Line no. 712	10
	720	Heating curve slope	-	0,1	4	1,5
	730	Summer/winter heating limit	°C	---/8	30	20
HC2 (When activated)	1010	Comfort setpoint	°C	Value from Line no. 1012	35	20
	1012	Reduced setpoint	°C	4	Value from Line no. 1010	16
	1014	Frost protection setpoint	°C	4	Value from Line no. 1012	4
	1020	Heating curve slope	-	0,1	4	1,5
	1030	Summer/winter heating limit	°C	---/8	30	20
DHW	1600	DHW operating mode	-	On, Off, Eco		On
	1610	Nominal setpoint	°C	Value from Line no. 1612	Value from Line no. 1614	55
	1612	Reduced setpoint	°C	8	Value from Line no. 1610	40
Swimming pool	2055	Pool setpoint solar heating	°C	8	80	26
	2056	Pool sepoint boiler heating	°C	8	80	22
Boiler	2214	Setpoint manual control	°C	10	90	80
Fault	6705	SW Diagnose Code	-	-	-	Indication only
	6706	Burner ctrl phase lockout pos	-	-	-	Indication only

8 ERROR / FAULT CODES

WALLCON X-treme boilers are equipped with a fault diagnosis system. When a malfunction code is displayed on both the Master and Slave boilers, the red light on the bottom of the control panel flashes with the no flame sign.

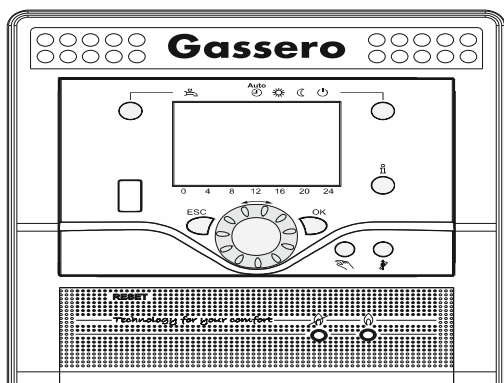
Malfunction codes are given below.

Error Code	Error Description
10	Outside temperature sensor error
20	Boiler temperature 1 sensor error
26	Common flow temperature sensor error
28	Flue gas temperature sensor error
30	Flow temperature 1 sensor error
38	Flow temperature primary controller sensor error
40	Return temperature 1 sensor error
46	Return temperature cascade sensor error
47	Common return temperature sensor error
50	DHW temperature 1 sensor error
52	DHW temperature 2 sensor error
54	DHW primary controller sensor error
57	DHW circulation temperature sensor error
60	Room temperature 1 sensor error
65	Room temperature 2 sensor error
70	Buffer storage tank temperature 1 sensor error
71	Buffer storage tank temperature 2 sensor error
72	Buffer storage tank temperature 3 sensor error
73	Collector temperature 1 sensor error
78	Water pressure sensor error
82	LPB address collision
83	BSB wire short-circuit
84	BSB address collision
85	BSB RF communication error
91	EEPROM error lockout information
98	Extension module 1 error (collective error)
99	Extension module 2 error (collective error)
100	2 clocktime masters (LPB)
102	Clocktime master without reserve (LPB)
103	Communication error
105	Maintenance message
109	Boiler temperature supervision
110	STB lockout
111	TW cutout
117	Water pressure too high
118	Water pressure too low
119	Water pressure switch has cut out
121	Flow temperature 1 (HC1) supervision
122	Flow temperature 2 (HC2) supervision
125	Pump supervision error
126	DHW charging supervision
127	Legionella temperature not reached
128	Loss of flame during operation
129	Fan error or LP error

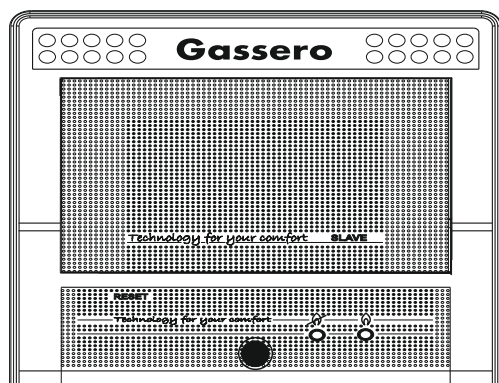
Error Code	Error Description
130	Flue gas temperature limit exceeded
132	GP or LP error
133	No flame during safety time
146	Configuration error collective message
151	Internal error
152	Parameterization error
153	Unit manually locked
160	Fan error
162	LP error, does not close
164	Error heating circuit flow switch
166	LP error, does not open
169	Sitherm Pro system error
170	Error water pressure sensor, primary side
171	Alarm contact H1 or H4 active
172	Alarm contact H2 (EM1, EM2 or EM3) or H5 active
173	Alarm contact H6 active
174	Alarm contact H3 or H7 active
176	Water pressure 2 too high
177	Water pressure 2 too low
178	Limit thermostat heating circuit 1
179	Limit thermostat heating circuit 2
183	Unit in parameterization mode
195	Maximum duration of the refill per charging
196	Maximum duration of the refill per week exceeded
209	Fault heating circuit
214	Monitoring of motor
215	Fault fan air diverting valve
216	Fault boiler
217	Fault sensor
218	Pressure supervision
241	Flow sensor solar sensor error
242	Return sensor solar sensor error
243	Swimming pool temperature sensor error
260	217 Flow temperature 3, sensor error
270	Limit function
317	Mains frequency outside permissible range
320	DHW charging temperature sensor error
321	217 DHW outlet temperature, sensor error
322	218 Water pressure 3 too high
323	218 Water pressure 3 too low
324	BX same sensors
325	BX / extension module same sensors
326	BX / mixing group same sensors
327	Extension module same function

Error Code	Error Description
328	146 Mixing group, same function
329	146 Extension module/mixing group, same
330	Sensor BX1 no function
331	Sensor BX2 no function
332	Sensor BX3 no function
333	Sensor BX4 no function
335	Sensor BX21 no function (EM1, EM2 or EM3)
336	Sensor BX22 no function (EM1, EM2 or EM3)
339	Collector pump Q5 not available
340	Collector pump Q16 not available
341	Solar Collector sensor B6 not available
342	DHW sensor B31 not available
343	Solar integration not available
344	Solar controlling element buffer K8 not available
345	Solar ctrl element swimming pool K18 not
346	Solid fuel boiler pump Q10 not available
347	Solid fuel boiler comparison sensor not available
348	Solid fuel boiler address error
349	Buffer return valve Y15 not available
350	Puffer address sensor
351	Primary controller / system pump address error
352	Pressureless header address error
353	Common flow sensor B10 not available
371	Flow temperature 3 (heating circuit 3) supervision
372	Limit thermostat heating circuit 3
373	Extension module 3 error (collective error)
374	169 Sitherm Pro calculation
375	169 BV stepper motor
376	169 Drift test limit value
377	169 Drift test prevented
378	151 Internal repetition
382	129 Repetition speed
384	151 Extraneous light
385	151 Mains under-voltage
386	Fan speed has lost valid range
387	129 Air pressure tolerance
388	DHW error no function
426	Feedback flue gas damper
427	Configuration flue gas damper
429	218 Dynamic water pressure too high
430	218 Dynamic water pressure too low
431	Sensor primary heat exchanger
432	Functional earth not connected
433	Temperature primary heat exchanger to high

9 CASCADE



MASTER



SLAVE

WALLCON Xtreme boilers can be used as a single boiler or as cascade for up to 16 boilers.

Particularly during the season passes, the heat requirement of the system may be very low. Cascade systems run only 1 boiler to meet this low heat requirement and provide efficient operation. In the same way, cascade systems, can activate all of the boilers when heat demand increased, saves energy by operating in a wide range of modulation.

Boilers in the cascade system share the heat load evenly. Master Boiler's EQUAL AGING function ensures that each boiler works evenly, ensuring high efficiency and long life time.

In cascade systems, one of the boilers is used as MASTER (LEADER), others are used as SLAVES (FOLLOWERS). While all settings of the cascade system are done via the MASTER boiler, SLAVE boilers work under the control of the MASTER boiler.

MASTER boiler has a display.

In the MASTER and SLAVE boilers, the RESET button is located in different places.

MASTER and SLAVE boilers have different softwares.

The communication between the MASTER boiler and the other boilers is carried out with the cascade module which is standard in all boilers.

For detailed information about the installation of the cascade system please contact nearest authorized service center or GASSERO.

10 COMBUSTION ADJUSTMENTS



The installer/commissioner shall check the gas supply information on the label shall be compatible with local gas supply regulations.



Wallcon X-treme 180 & 200 MODEL BOILERS ARE DESIGNED TO WORK ONLY WITH NATURAL GAS. THEY CANNOT BE USED WITH LPG.



These combustion settings mentioned below must be issued by authorized GASSERO services.

WALLCON X-treme boilers are offer to sale after all required combuston, efficiency and safety controls. Emission settings mustn't be changed which are made by GASSERO. However, if there is a deviation in the values which are given below, emission settings should be changed by GASSERO authorized service.



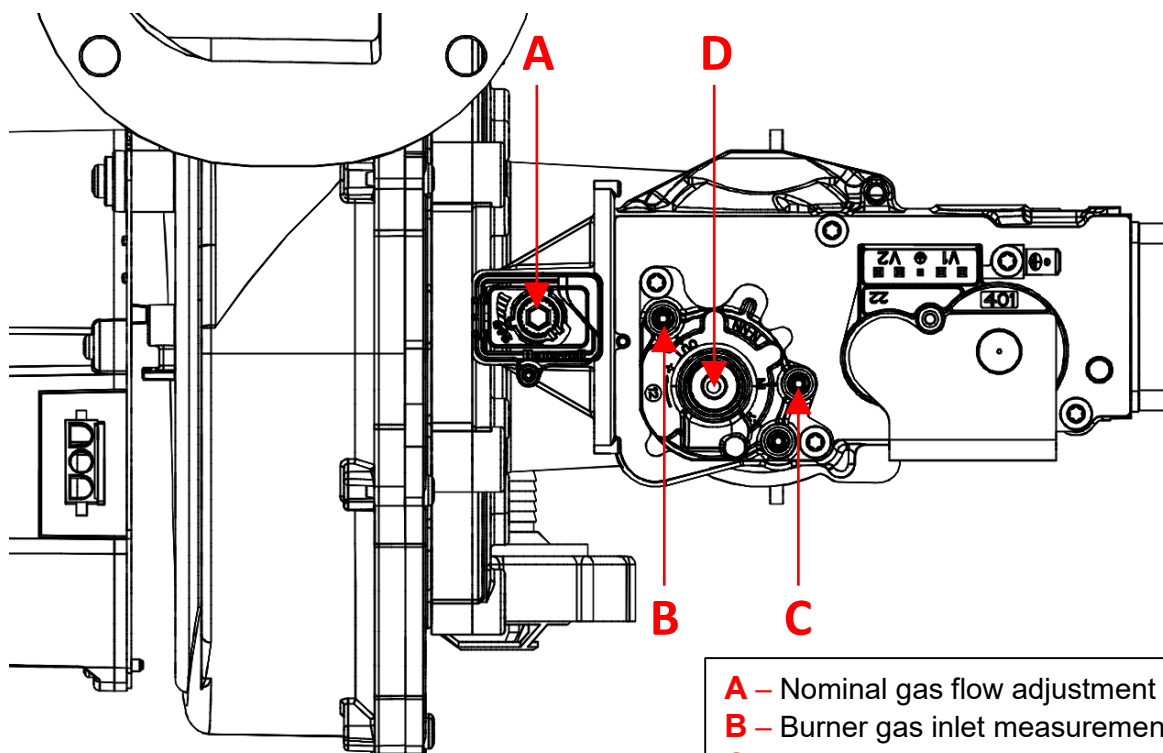
Flue gas analyzer must be used during to the combustion adjustments.

GAS EMISSION VALUES*

G20		<i>Wallcon X-treme 180</i>		<i>Wallcon X-treme 200</i>	
		<i>min.</i>	<i>max.</i>	<i>min.</i>	<i>max.</i>
CO₂ emission	%	9,05	9,30	8,91	9,47
Gas consumption	m³/h	3,18	17,88	3,39	20,49
Flue gas mass flow	g/sec.	13	74	14	81

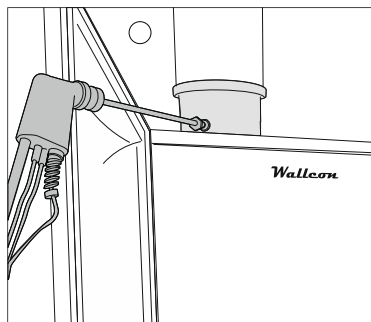
* Gas consumption values are calculated at normal conditions, 15 °C and 101.325 kPa.

10.1 EMISSION SETPOINTS



- A** – Nominal gas flow adjustment screw
- B** – Burner gas inlet measurement point
- C** – Main gas inlet measurement point
- D** – Minimum gas flow adjustment screw

10.2 NOMINAL LOAD EMISSION SETTINGS



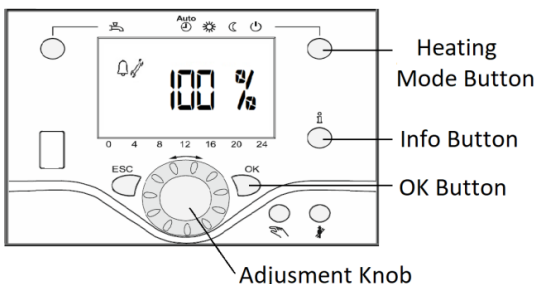
Connect the Flue Gas Analyzer probe to the sampling point on the flue adapter.



Make sure that the Flue Gas Analyzer which will be used to adjust the combustion settings is calibrated and functioning correctly.

Nominal load emission setting is done by measuring the CO₂ value in the flue gas. The following steps should be followed for this instant measurement on a boiler operating at nominal capacity.

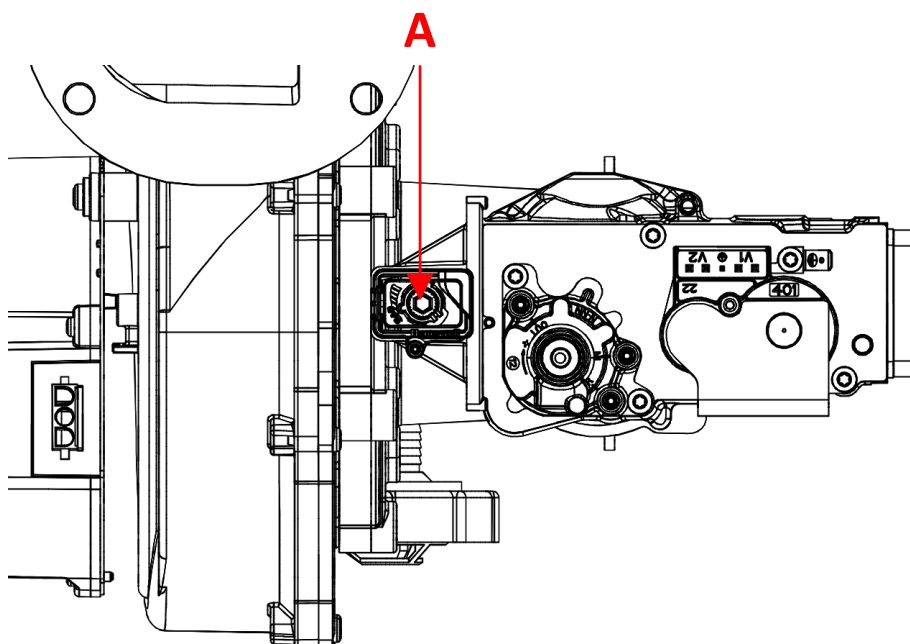
- To run the boiler at nominal load, press and hold **Heating Mode** button for 3 sec.
- "**Controller Stop Function On**" will be mentioned on the screen.
- Modulation rate will be displayed in % by pressing the **Info** button.
- Press **OK** button and change the modulation rate to **%100** by turning the adjustment knob.
- Press **OK** button to apply.
- Turn the Nominal Gas Flow Adjustment Screw **(A) (+)** direction to increase the CO₂ value.
- If you turn it **(-)** direction, the gas flow rate will decrease and therefore the CO₂ value will decrease.



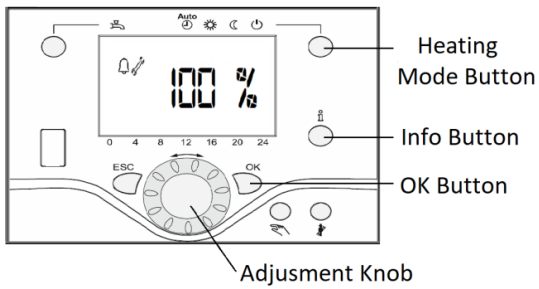
Before operating the boiler at nominal load, ensure that the valves in the system are open, the condensate drain line is open, the flue connections are gas-tight and the pumps are running.



Due to the danger of burning and scalding, be careful of the boiler and plumbing pipes which will become very hot.

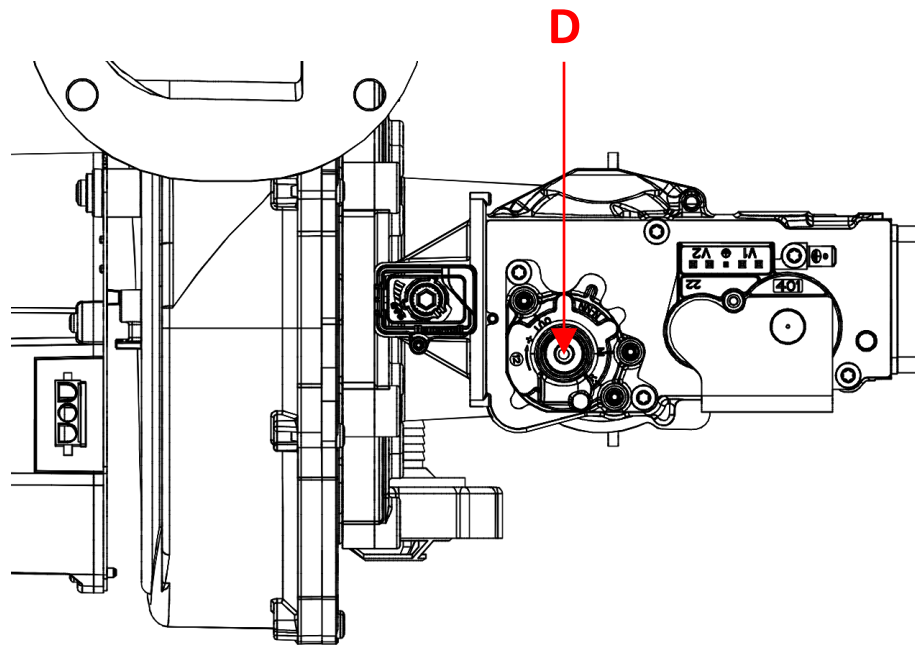


10.3 MINIMUM LOAD EMISSION SETTINGS



Minimum load emission setting is done by measuring the CO₂ value in the flue gas. The following steps should be followed for this instant measurement on a boiler operating at minimum capacity.

- To run the boiler at minimum load, press and hold **Heating Mode** button for 3 sec.
- "**Controller Stop Function On**" will be mentioned on the screen.
- Modulation rate will be displayed in % by pressing the **Info** button.
- Press **OK** button and change the modulation rate to %0 by turning the adjustment knob.
- Press **OK** button to apply.
- Turn the Minimum Gas Flow Adjustment Screw **(D)** (+) direction to increase the CO₂ value.
- If you turn it (-) direction, the gas flow rate will decrease and therefore the CO₂ value will decrease.



12 MAINTENANCE

WALLCON X-treme boilers should be serviced at least once a year. Considering the operating conditions of the boiler, this maintenance period may be increased.

Periodic maintenance;

- Contributes to the efficient and economical operation of the boiler.
- Makes possible to detect unpredictable faults in advance.
- Supports the protection of the environment and nature.



Maintenance must be made by authorized GASSERO services.

Malfunctions resulting from unauthorized interventions will be considered out of warranty.

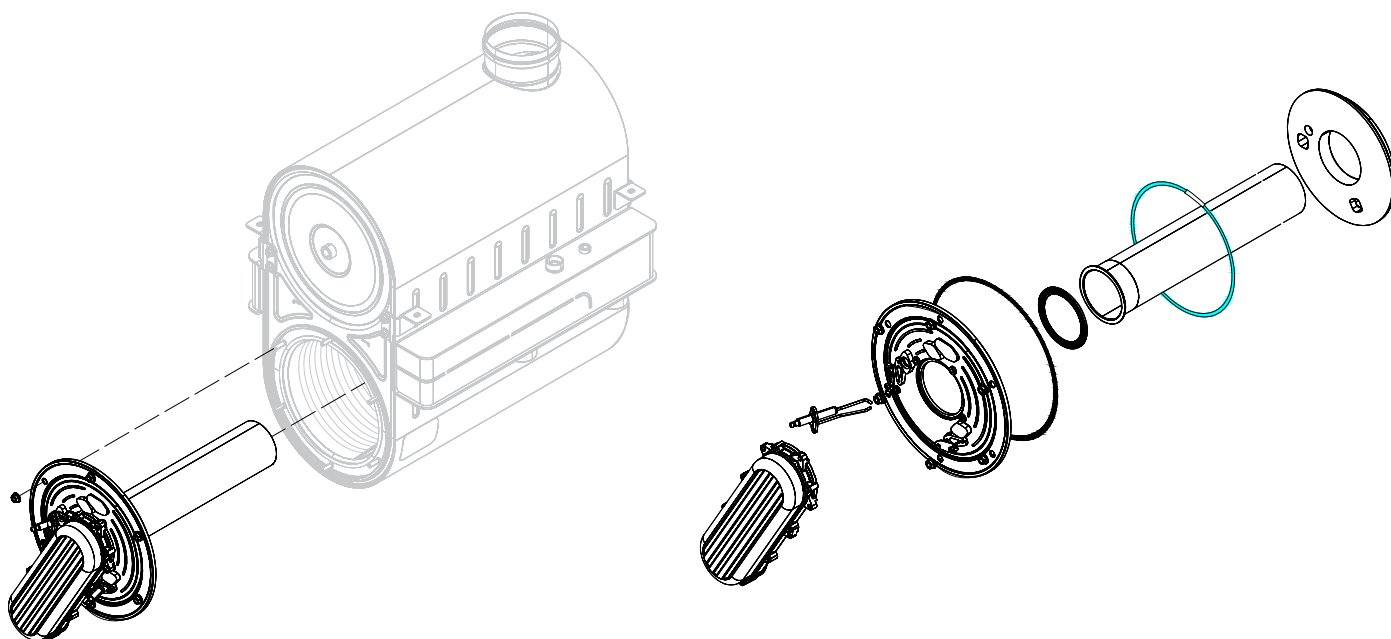
It is the responsibility of the operator / user to keep the place where the boiler is clean and tidy;

If you clean the surface of the boiler;

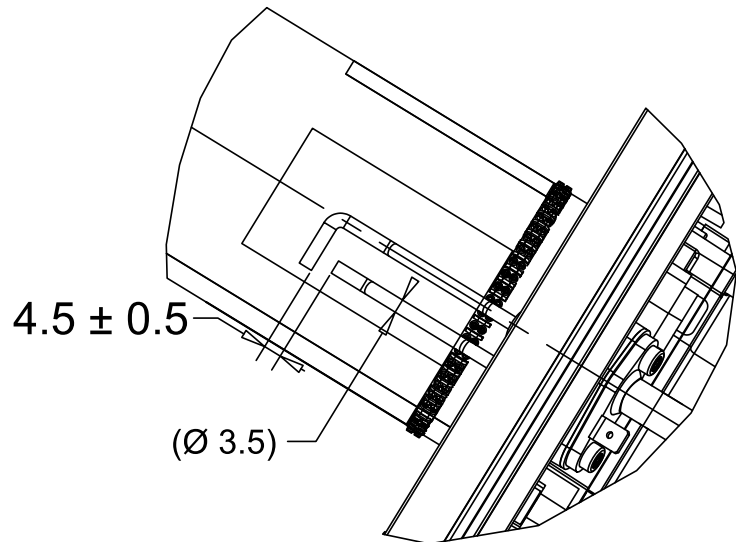
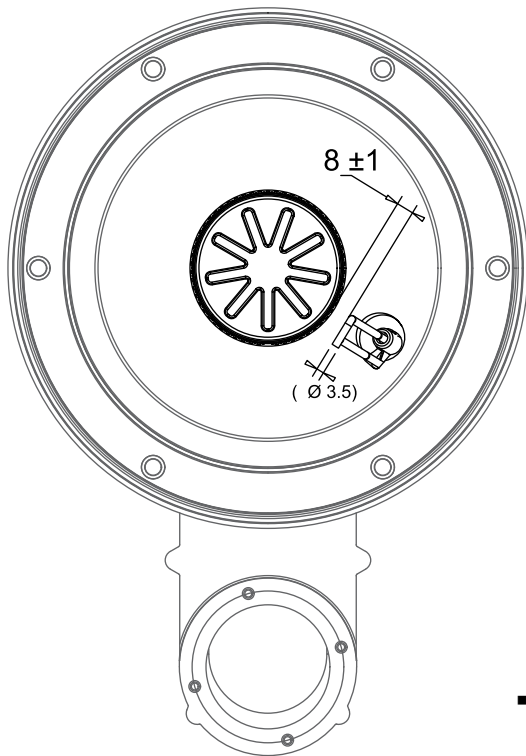
- Cut the boiler electrical supply via fuse,
- Do not use abrasive or chemical products to clean painted and plastic parts.
- Avoid water or liquid contact to the control panel and cables.

12.1 MAINTENANCE PROCESS

- Water inside the boiler will be drained. Do not use safety valve for drainage purposes except the drain valve. Results should be analyzed in terms of water quality by taking samples from the water inside the boiler (read the WATER QUALITY AND OPERATIONS section).
- Boiler filter will be cleaned. This filter is located at the bottom of the boiler. Cleaning of large filters in secondary system is the responsibility of installation / mechanical services.
- Water temperature and safety sensors on the supply and return line of the boiler will be removed, cleaned and replaced if necessary. Control of the sensors can be done by checking the temperature / resistance tables to detect that sensors are working properly.
- Burner and Heat Exchanger will be cleaned: Burner and heat exchanger surfaces / pores can be cleaned with a non-metal brush or compressed air. The burner gasket, or heat exchanger cap gasket (fuse) will be checked and has to be replaced if deformed.



- Siphon will be cleaned and the drain line will be checked. Once the condensate siphon has been cleaned, it must be filled with water again. If there is a congestion in the drainage line, the slope has to be checked.
- Ignition electrodes of the boiler will be removed and cleaned if necessary, replaced. Distances between the electrodes and the burner are very important in terms of ignition and flame detection.
- Distances which are shown below must be observed when adjusting the electrode distances.
- Electrodes with cracks in the ceramic parts must be replaced.
- Electrode gasket must be replaced if the electrode is cleaned or replaced.



- Gas pressure of the expansion tank will be checked and if there is an issue responsible will be warned about the completion of the gas (expansion tank is the responsibility of the installation / mechanical service).
- When filling the boiler with water, check that the water treatment units are running and active. A sample should be taken from the water filled in the boiler and the results of the analysis will be written to the service document.
- Water, gas, air, chimney and electrical connections will be checked.
- Gas leakage control will be made. For gas leakage control, a gas detector or leakage detection sprays may be used.
- Chimney connections will be checked for leakage of gas or condensation water.
- If there is an air inlet filter in the boiler, it will be checked and replaced if necessary.
- Electrical connections, sockets, grounding terminals will be checked.
- Automatic air relief valves, thermometers, manometers or similar control devices in the system will be checked, if any issues detected installation / mechanical service will be warned.
- After the boiler has been switched on, the burner must be checked with the analyzer and the emission settings will be re-made if necessary.
- Time / holiday settings which are made according to the requests of the consumer will be checked.
- Emission values (CO₂ and O₂) will be written to the service document by operating the boiler at nominal, minimum and partial load.

13 ENERGY SAVING RECOMMENDATIONS

- **INSULATION:** Building insulation is one of the most important steps of energy saving. Insulated building allows you to get more energy using less fuel.
- **ADJUSTING RIGHT TEMPERATURE VALUES:** Selecting COMFORT and REDUCED TEMPERATURE values will save energy. Excessively selected COMFORT temperature will increase the energy consumption. To save more energy use REDUCED TEMPERATURE function more often.
- **CORRECT PROGRAMMING:** Selecting the correct operation ranges for automatic mode will save energy.
- **INSTALLATION INSULATION:** Insulation of pipes, collectors, boilers, storage tanks and chimneys in the boiler room saves energy. Installation pipes which will pass through unused spaces must also be insulated.
- **WATER QUALITY:** Water treatment will keep the water conditions under constant control and saves energy.
- **REGULAR MAINTENANCE:** Maintenance of the boiler once a year and reviewing the system periodically is also important for energy saving.

14 DISPOSAL

- When **WALLCON** boilers have to be disposed of, the procedures determined by the local authorities must be followed. Such wastes must be treated in accordance with the applicable regulations.
- Similarly, local regulations will be followed for the packaging wastes.



Leaving the non-functional units, spare parts and packaging materials in the environment and leaving them accessible to children can be dangerous. Such wastes must be treated in accordance with the applicable regulations.



Ignoring this warning may harm, people, animals and may cause property damage. Manufacturer is not liable for damages that may arise in such cases.

16 TROUBLE SHOOTING

PROBLEM	REASON	SOLUTION
Smell of gas	Gas supply circuit	Check the tightness of the joints and that the pressure test points are closed
Smell of unburned gas	Flue gas circuit	Check: - The tightness of the joints - The absence of obstructions - The quality of combustion
Irregular combustion	Burner gas pressure	Check adjustment
	Diaphragm installed	Check diameter
	Condition of the burner and exchanger	Check they are clean
	Exchanger openings blocked	Check the openings are clean
	Fan fault	Check operation
Delays in ignition with pulsating operation of the burner	Burner gas pressure	Check adjustment
	Ignition electrode	Check positioning and condition
The boiler becomes dirty in a short time	Combustion	Check flame colour Check combustion adjustments
The burner does not start when receiving the signal from the boiler controller	Gas valve	Check that 230 V AC is present at the terminals on the gas valve; check wiring and connections
The boiler does not start	No power supply (the display is blank)	Check: - electrical connections - fuse
The pump does not start	Pump fault	Reset the pump Replace the pump Check the electrical connections of the pump
The boiler does not reach the operating temperature	Boiler body dirty	Clean combustion chamber
	Insufficient burner flow-rate	Check burner adjustment
	Boiler controller	Check correct operation Check set temperature
Thermal overload on the heat generator	Boiler controller	Check correct operation Check set temperature Check electrical wiring Check position of the sensors
	No water	Check vent valve Check pressure in central heating circuit
The heat generator reaches the temperature but the central heating system is cold	Air in the system	Vent the system
	Pump fault	Reset the pump Replace the pump Check the electrical connections of the pump
Frequent activation of the system safety valve	System safety valve	Check calibration or efficiency
	Pressure in heating system circuit	Check charge pressure Check pressure reducer
	System expansion vessel	Check efficiency

17 BOILER ROOM APPLICATION RECOMMENDATIONS

Gassero is strictly advising to use water softening unit and apply flushing process in the whole installation before the commissioning for long term usage. Water quality conditions which are mentioned below have to be followed during the life time of the boiler. It is strictly advising to use plate heat exchanger if there is a underfloor heating system in the installation. Boilers which will be commissioned and used in outdoor have to follow required conditions. Otherwise, system could harm because of the undesirable substances and in these cases the boiler could be considered out of warranty.

Manufacturer is not liable for harmes that may arise from improper usage and installations.

Water Condition Range					
Total Hardness °d	pH (Aluminum)	pH (Stainless)	Iron (Not Diluted)	Conductivity	Flushing
1	6,5-8,5	7,5-9,5	<10ppm	≤2000µS/cm	It is mandatory to comply with BSRIA 7593 (See: Gassero Flushing Process)

WATER CONDITIONS

Nitrided protection must not be used in boilers with aluminum heat exchangers

As GASSERO, we recommend flushing process in the installation to prolong the life time of the installation and boilers. Acid-based products must not be used during flushing.

Water will be used in the installation must be city-water. **Never use well-water.**

Boiler maintenances must be made annually by authorized services. Water values and the water softening unit values (resin, salt etc.) must be measured and maintained during these maintenances.

If the water conditions out of specified values in the table above, problems that may occur in heat exchanger could be consider out of warranty.

During the assembly and installation operations Gassero sample schemes have to be taken in to account.

HYDRAULIC

Boiler (primary) pump must be selected to in accordance with the required power and flow rate.

The boiler (primary) pump must be placed on the return line of the boiler (pump has to supply the water to the boiler).

Installation operating pressure should meet with the working pressure of boiler.

All heat exchanger manufacturers; recommends to use of plate exchanger instead of the hydraulic separator for separate the primary circuit and the secondary circuit.

Domestic waste system could be used for condensate water. In system with a total power of 200 kW and above, a neutralization tank must be used.

Boiler outlet and inlet diameters must be strictly followed and other equipments must be selected in accordance with these diameters. In order to install other equipments connections must not be reduced more than 2 calibers in accordance with KVS factor.

For each boiler it is mandatory to use an appropriate diameter filter and check valve on the return line of the boiler.

For floor standing boilers' collector connection details please contact with GASSERO service department.

Additional zone control modules and sensors have to be requested if equipments such as three-way valves and DHWs are placed and will be controlled on the heating collector. Please contact GASSERO for more information.

Air and dirt separators must be used with hydraulic separator.

In case of the plate heat exchanger will be used instead of the hydraulic separator as the main separator, expansion tank must be placed in the primary circuit.

If an automatic filling valve will be used in the installaiton, a water meter must be used for water tracking.

In cascade systems, the sensor housing must be placed on the hydraulic separator or on the secondary circuit supply line. If the system will be separated by a plate heat exchanger, place the sensor housing on the secondary circuit supply line.

ELECTRIC AND FLUE

6A fuses must be used for the power supply of the boilers. Electrical installation must be grounded.

Chimney connections must be made in accordance with the chimney types and regulations which are mentioned in the boiler certificates.

The flue gas analysis measuring probe (probe hole) must be opened by the authorized flue companies for each boiler.

Boiler chimneys could be extended by a minimum 1 meter from the boiler flue outlet direction and then connected to the chimney collector with or without elbows.

If the chimney connections passes over the boiler, the connections must be checked properly and water tightening must be provided. Otherwise damages which are caused by these leakages will be considered out of warranty. Adequate ventilation should be provided inside the boiler room.

GAS AND OTHER

The operating pressure of the boilers for the natural gas is 20 mbar. Therefore, it is necessary to use a regulator on the gas line. There should be a minimum distance of 2 meters between the regulator and gas flange. There should be a discharge line after the regulator for discharge of the excess air.

In order to control the gas pressures, the manometer must be fitted before and after the regulator.

GASSERO boilers are manufactured for heating and domestic heating water applications. They are not suitable for industrial purposes. **GASSERO shall not be held responsible for any problems arising out of the design purposes.**

MANUFACTURER :

Gassero Isi Teknolojileri Sanayi Limited Sirketi

Istanbul Endustri ve Ticaret Serbest Bolgesi

4.Sokak,No:8, 34957

Tuzla / Istanbul / TURKEY

Phone : +90 216 394 09 85 -86 -87

Fax : +90 216 394 24 91

www.gassero.com

